

# *Grizzly* **Industrial, Inc.**®

## **3 WHEEL 12" BANDSAW MODEL G8976 INSTRUCTION MANUAL**



COPYRIGHT © APRIL, 2003 BY GRIZZLY INDUSTRIAL, INC.

**WARNING: NO PORTION OF THIS MANUAL MAY BE REPRODUCED IN ANY SHAPE OR FORM WITHOUT THE WRITTEN APPROVAL OF GRIZZLY INDUSTRIAL, INC.**

#505203624, PRINTED IN CHINA

#### **ONLINE MANUAL DISCLAIMER**

THE INFORMATION IN THIS MANUAL REPRESENTS THE CONFIGURATION OF THE MACHINE AS IT IS CURRENTLY BEING SHIPPED. THE MACHINE CONFIGURATION CAN CHANGE AS PRODUCT IMPROVEMENTS ARE INCORPORATED. IF YOU OWN AN EARLIER VERSION OF THE MACHINE, THIS MANUAL MAY NOT EXACTLY DEPICT YOUR MACHINE. CONTACT CUSTOMER SERVICE IF YOU HAVE ANY QUESTIONS ABOUT DIFFERENCES. PREVIOUS VERSIONS ARE NOT AVAILABLE ONLINE.

# WARNING

Some dust created by power sanding, sawing, grinding, drilling, and other construction activities contains chemicals known to the State of California to cause cancer, birth defects or other reproductive harm. Some examples of these chemicals are:

- Lead from lead-based paints.
- Crystalline silica from bricks, cement, and other masonry products.
- Arsenic and chromium from chemically treated lumber.

Your risk from these exposures varies, depending on how often you do this type of work. To reduce your exposure to these chemicals: work in a well ventilated area, and work with approved safety equipment, such as those dust masks that are specially designed to filter out microscopic particles.

# TABLE OF CONTENTS

	PAGE
<b>1. SAFETY</b> .....	<b>2</b>
Safety Instructions For Power Tools .....	2-3
Additional Safety Instructions For Bandsaws .....	4
<b>2. INTRODUCTION</b> .....	<b>5</b>
<b>3. CIRCUIT REQUIREMENTS</b> .....	<b>6</b>
110V Operation.....	6
Grounding .....	7
Extension Cords .....	7
<b>4. MACHINE FEATURES</b> .....	<b>8-9</b>
<b>5. SET UP</b> .....	<b>10</b>
Unpacking.....	10
G8976 Inventory .....	10
Hardware Recognition Chart .....	11
Clean Up.....	12
Site Considerations.....	12
Beginning Assembly .....	13
Base Feet .....	13
Table .....	14-15
Miter Gauge .....	15
Dust Collection .....	16
Bench Mounting .....	16
Blade Tracking.....	17-18
Start Up .....	18-19
Tensioning Blade.....	19-20
Adjusting Support Bearings .....	20-21
Adjusting Blade Guides .....	21-22
Trunnion Scale Pointer .....	22-23
<b>6. OPERATIONS</b> .....	<b>24</b>
Operation Safety.....	24
Guide Post .....	24
Table Tilt .....	25
Ripping .....	25
Crosscutting .....	26
Resawing .....	26
Blade Lead .....	27
Cutting Curves .....	28
Stacked Cuts.....	28
Blade Speed .....	29
Blade Selection .....	29-31
<b>7. MAINTENANCE</b> .....	<b>32</b>
Maintenance Safety .....	32
Schedule .....	32
Maintenance Log .....	33
Blade Changes .....	34
Motor Brushes.....	34
<b>8. REFERENCE INFO</b> .....	<b>35</b>
Aftermarket Accessories .....	35
Data Sheet .....	36
Parts Diagrams & Lists .....	37-38
Troubleshooting .....	39
Warranty & Returns .....	40-42

# SECTION 1: SAFETY

## WARNING

### For Your Own Safety Read Instruction Manual Before Operating This Equipment

The purpose of safety symbols is to attract your attention to possible hazardous conditions. This manual uses a series of symbols and signal words which are intended to convey the level of importance of the safety messages. The progression of symbols is described below. Remember that safety messages by themselves do not eliminate danger and are not a substitute for proper accident prevention measures.



Indicates an imminently hazardous situation which, if not avoided, WILL result in death or serious injury.



Indicates a potentially hazardous situation which, if not avoided, COULD result in death or serious injury.



Indicates a potentially hazardous situation which, if not avoided, MAY result in minor or moderate injury. It may also be used to alert against unsafe practices.

**NOTICE**

This symbol is used to alert the user to useful information about proper operation of the equipment.

## WARNING

### Safety Instructions For Power Tools

1. **KEEP GUARDS IN PLACE** and in working order.
2. **REMOVE ADJUSTING KEYS AND WRENCHES.** Form habit of checking to see that keys and adjusting wrenches are removed from tool before turning on.
3. **KEEP WORK AREA CLEAN.** Cluttered areas and benches invite accidents.
4. **NEVER USE IN DANGEROUS ENVIRONMENT.** Do not use power tools in damp or wet locations, or where any flammable or noxious fumes may exist. Keep work area well lighted.
5. **KEEP CHILDREN AND VISITORS AWAY.** All children and visitors should be kept at a safe distance from work area.
6. **MAKE WORKSHOP CHILD PROOF** with padlocks, master switches, or by removing starter keys.
7. **NEVER FORCE TOOL.** It will do the job better and safer at the rate for which it was designed.
8. **USE RIGHT TOOL.** Do not force tool or attachment to do a job for which it was not designed.

# ⚠️ WARNING

## Safety Instructions For Power Tools

**9. USE PROPER EXTENSION CORD.** Make sure your extension cord is in good condition. Conductor size should be in accordance with the chart below. The amperage rating should be listed on the motor or tool nameplate. An undersized cord will cause a drop in line voltage resulting in loss of power and overheating. Your extension cord must also contain a ground wire and plug pin. Always repair or replace extension cords if they become damaged.

Minimum Gauge for Extension Cords

AMP RATING	LENGTH		
	25ft	50ft	100ft
0-6	16	16	16
7-10	16	16	14
11-12	16	16	14
13-16	14	12	12
17-20	12	12	10
21-30	10	10	No

**10. WEAR PROPER APPAREL.** Do not wear loose clothing, gloves, neckties, rings, bracelets, or other jewelry which may get caught in moving parts. Non-slip footwear is recommended. Wear protective hair covering to contain long hair.

**11. ALWAYS USE SAFETY GLASSES.** Also use face or dust mask if cutting operation is dusty. Everyday eyeglasses only have impact resistant lenses, they are NOT safety glasses.

**12. SECURE WORK.** Use clamps or a vise to hold work when practical. It's safer than using your hand and frees both hands to operate tool.

**13. DO NOT OVER-REACH.** Keep proper footing and balance at all times.

**14. MAINTAIN TOOLS WITH CARE.** Keep tools sharp and clean for best and safest performance. Follow instructions for lubricating and changing accessories.

**15. USE RECOMMENDED ACCESSORIES.** Consult the owner's manual for recommended accessories. The use of improper accessories may cause risk of injury.

**16. REDUCE THE RISK OF UNINTENTIONAL STARTING.** On machines with magnetic contact starting switches there is a risk of starting if the machine is bumped or jarred. Always disconnect from power source before adjusting or servicing. Make sure switch is in OFF position before reconnecting.

**17. CHECK DAMAGED PARTS.** Before further use of the tool, a guard or other part that is damaged should be carefully checked to determine that it will operate properly and perform its intended function. Check for alignment of moving parts, binding of moving parts, breakage of parts, mounting, and any other conditions that may affect its operation. A guard or other part that is damaged should be properly repaired or replaced.

**18. NEVER LEAVE TOOL RUNNING UNATTENDED. TURN POWER OFF.** Do not leave tool until it comes to a complete stop.

**19. NEVER OPERATE A MACHINE WHEN TIRED, OR UNDER THE INFLUENCE OF DRUGS OR ALCOHOL.** Full mental alertness is required at all times when running a machine.

**20. NEVER ALLOW UNSUPERVISED OR UNTRAINED PERSONNEL TO OPERATE THE MACHINE.** Make sure any instructions you give in regards to machine operation are approved, correct, safe, and clearly understood.

**21. IF AT ANY TIME YOU ARE EXPERIENCING DIFFICULTIES** performing the intended operation, stop using the machine! Then contact our service department or ask a qualified expert how the operation should be performed.

## **WARNING**

# **Additional Safety Instructions For Bandsaws**

- 1. DO NOT OPERATE WITH DULL OR BADLY WORN BLADES.** Dull blades require more effort to use and are difficult to control. Inspect blades before each use.
- 2. NEVER POSITION FINGERS OR THUMBS IN LINE WITH THE CUT.** Serious personal injury could occur.
- 3. DO NOT OPERATE THIS BANDSAW WITHOUT WHEEL, PULLEY, AND BLADE GUARDS IN PLACE.**
- 4. WHEN REPLACING BLADES,** make sure teeth face down toward the table. The force of the cut is always down. Make sure the blade is properly tensioned after installing.
- 5. WORKPIECE SHOULD ALWAYS BE FULLY SUPPORTED** by the table or some type of support fixture. Always support round stock in a V-block.
- 6. DO NOT BACK WORKPIECE AWAY** from the blade while the saw is running. Plan your cuts so you always cut out of the wood. If you need to back the work out, turn the bandsaw off and wait for the blade to come to a complete stop. Do not twist or put excessive stress on the blade while backing work away. Inspect blade for damage such as kinks before continuing to use it. Discard it if necessary.
- 7. BLADE SHOULD BE RUNNING AT FULL SPEED** before beginning a cut.
- 8. ALWAYS FEED STOCK EVENLY AND SMOOTHLY.** Do not force or twist blade while cutting, especially when sawing small radii.
- 9. THIS MACHINE IS NOT DESIGNED TO CUT METAL** or other material except wood.
- 10. DO NOT MANUALLY STOP OR SLOW BLADE.** Allow it to come to a complete stop before you leave it unattended.
- 11. ALL INSPECTIONS, ADJUSTMENTS, AND MAINTENANCE ARE TO BE DONE WITH THE POWER OFF** and the plug pulled from the outlet. Wait for all moving parts to come to a complete stop.
- 12. HABITS – GOOD AND BAD – ARE HARD TO BREAK.** Develop good habits in your shop and safety will become second-nature to you.
- 13. IF AT ANY TIME YOU ARE EXPERIENCING DIFFICULTIES PERFORMING THE INTENDED OPERATION, STOP USING THE BANDSAW!** Then contact our service department or ask a qualified expert how the operation should be performed.

## **CAUTION**

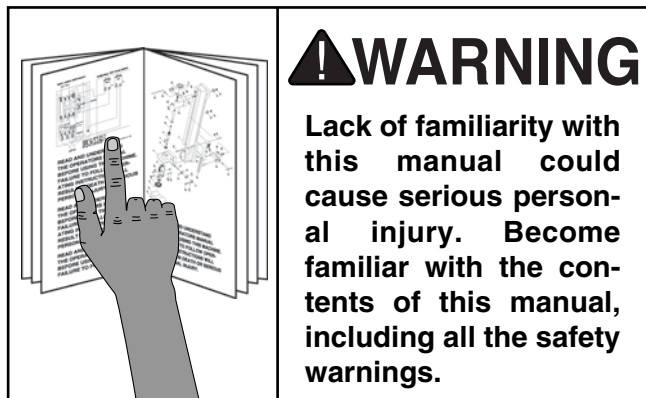
No list of safety guidelines can be complete. Every shop environment is different. Always consider safety first, as it applies to your individual working conditions. Use this and other machinery with caution and respect. Failure to do so could result in serious personal injury, damage to equipment or poor work results.

## **WARNING**

Like all power tools, there is danger associated with the Model G8976. Accidents are frequently caused by lack of familiarity or failure to pay attention. Use this tool with respect and caution to lessen the possibility of operator injury. If normal safety precautions are overlooked or ignored, serious personal injury may occur.

# SECTION 2: INTRODUCTION

---



We are proud to offer the Model G8976 3 Wheel 12" Bandsaw. This machine is part of a growing Grizzly family of fine woodworking machinery. When used according to the guidelines set forth in this manual, you can expect years of trouble-free, enjoyable operation and proof of Grizzly's commitment to customer satisfaction.

We are pleased to provide this manual with the Model G8976. It was written to guide you through assembly, review safety considerations, and cover general operating procedures. It represents our effort to produce the best documentation possible.

If you have any comments regarding this manual, please write to us at the address below:

Grizzly Industrial, Inc.  
c/o Technical Documentation  
P.O. Box 2069  
Bellingham, WA 98227-2069

Most importantly, we stand behind our machines. If you have any service questions or parts requests, please call or write us at the location listed below.

Grizzly Industrial, Inc.  
1203 Lycoming Mall Circle  
Muncy, PA 17756  
Phone: (570) 546-9663  
Fax: (800) 438-5901  
E-Mail: [techsupport@grizzly.com](mailto:techsupport@grizzly.com)  
Web Site: <http://www.grizzly.com>

The specifications, drawings, and photographs illustrated in this manual represent the Model G8976 as supplied when the manual was prepared. However, owing to Grizzly's policy of continuous improvement, changes may be made at any time with no obligation on the part of Grizzly. For your convenience, we always keep current Grizzly manuals available on our website at [www.grizzly.com](http://www.grizzly.com). Any updates to your machine will be reflected in these manuals as soon as they are complete. Visit our site often to check for the latest updates to this manual!



# SECTION 3: CIRCUIT REQUIREMENTS

## 110 Volt

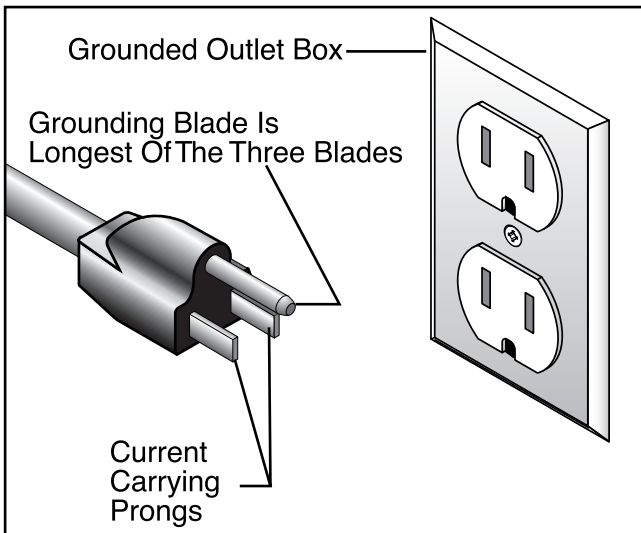
### Amperage Draw

The Model G8976 motor is wired to operate at 110V and will draw the following load:

Motor Load .....4.5 Amps

### Plug Type

The Model G8976 is supplied with a NEMA 5-15 plug. DO NOT modify the plug or power cord in any way. See **Figure 1** for a NEMA 5-15 plug and grounded outlet.



**Figure 1.** NEMA 5-15 plug and grounded outlet.

### Circuit Breaker Requirements

We recommend that the circuit you use your machine on should be dedicated. Because the machine motors are different sizes, please use the following guidelines when choosing a circuit breaker for your machine (circuit breakers rated any higher are not adequate to protect the circuit):

Recommended Circuit Breaker .....10 Amp

### Your Circuit Capacity

Always check to see if the wires in your circuit are capable of handling the amperage load from your machine. If you are unsure, consult a qualified electrician.

If you operate this machine on any circuit that is already close to its capacity, it might blow a fuse or trip a circuit breaker. However, if an unusual load does not exist and a power failure still occurs, contact a qualified electrician or our Service Department at (570) 546-9663.

## **⚠ WARNING**

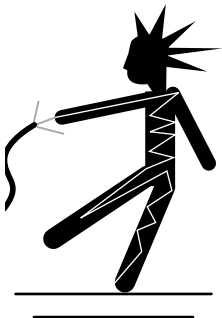
**Serious personal injury could occur if you connect your machine to the power source before you have completed the assembly process. DO NOT connect the machine to the power source until instructed to do so.**

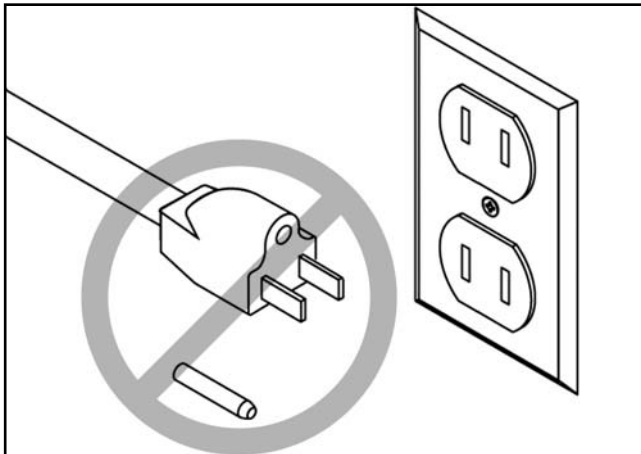




# Grounding

In the event of an electrical short, grounding reduces the risk of electric shock by providing a path of least resistance to disperse electric current. This tool is equipped with a power cord that has an equipment-grounding prong. The outlet must be properly installed and grounded in accordance with all local codes and ordinances.

	<p><b>⚠️ WARNING</b> Electrocution or a fire can result if the machine is not grounded correctly. Make sure all electrical circuits are grounded. Do not use the machine if it is not grounded.</p>
---	---



**⚠️ CAUTION**  
This machine must have a ground prong in the plug to help ensure that it is grounded. DO NOT remove ground prong from plug to fit into a two-pronged outlet! If the plug will not fit the outlet, have the proper outlet installed by a qualified electrician.

**NOTICE**  
The wire on the power cord with green or green and yellow striped insulation is the grounding conductor.



# Extension Cords

## 110V Operation

If you find it necessary to use an extension cord at 110V:

- Make sure the cord is rated Standard Service (grade S) or better.
- The extension cord must also contain a ground wire and plug pin.
- Use at least a 16 gauge cord if the cord is 50 feet long or less.
- DO NOT use a cord longer than 100 feet!



**⚠️ CAUTION**  
No single list of electrical guidelines can be comprehensive for all shop environments. Operating this machinery may require additional electrical upgrades specific to your machine and shop environment. It is your responsibility to make sure your electrical systems comply with all local electrical codes and ordinances.

# SECTION 4: MACHINE FEATURES

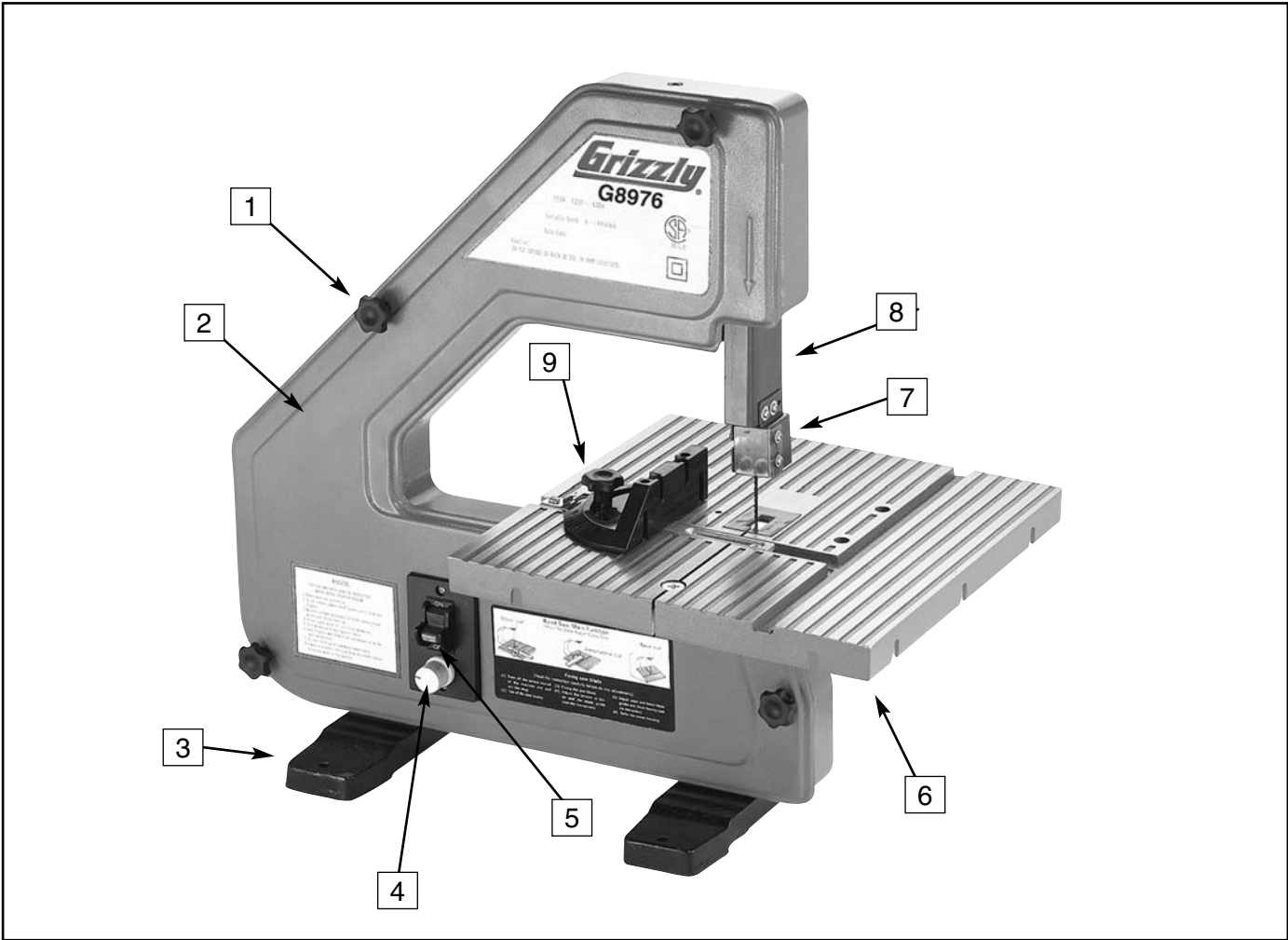
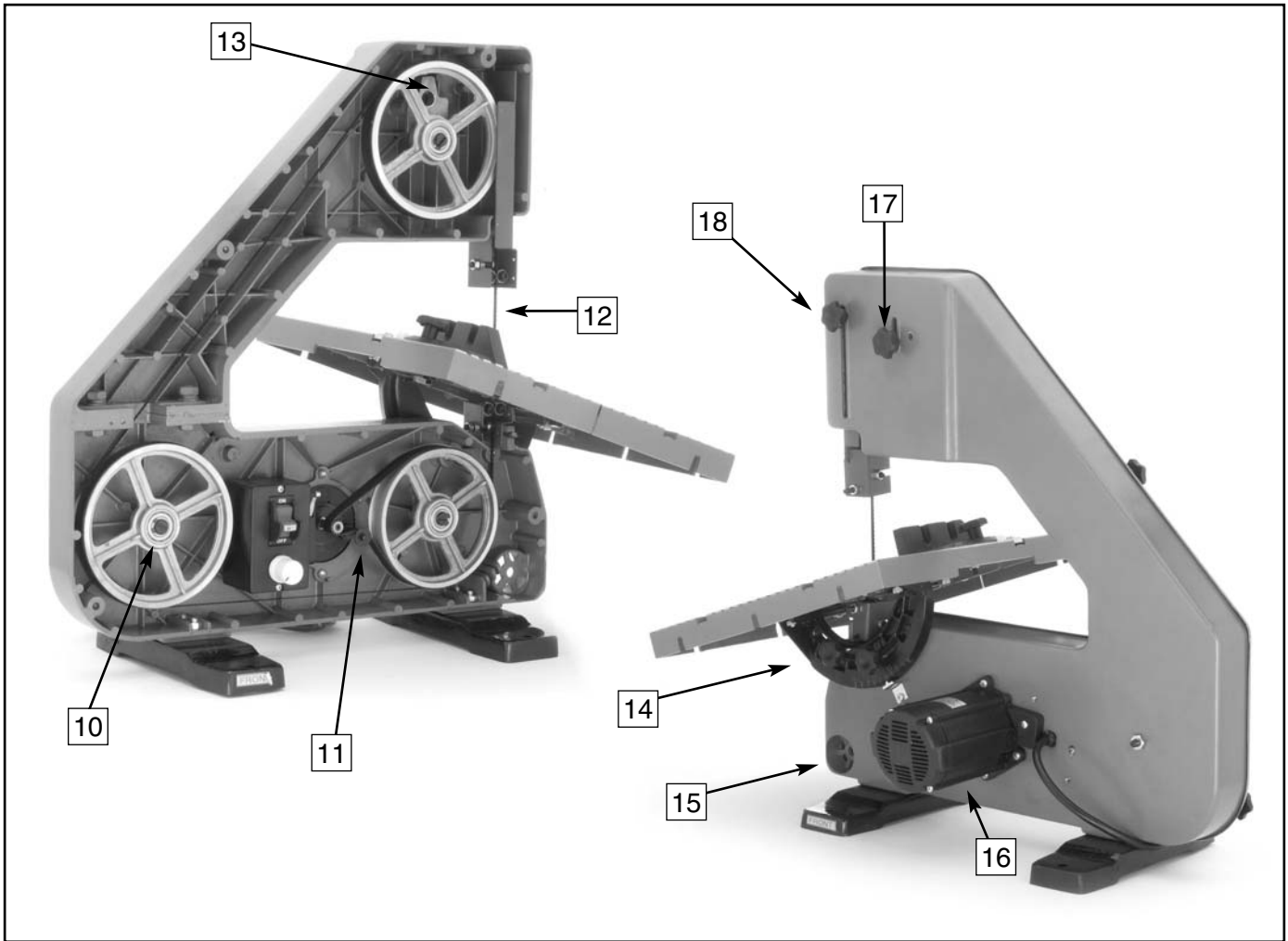


Figure 2. Front view.

- 1. Cover Knob Bolt
- 2. Cover
- 3. Base Foot
- 4. Blade Speed Knob
- 5. Power Switch
- 6. Table
- 7. Blade Guide Assembly
- 8. Guide Post
- 9. Miter Gauge Assembly



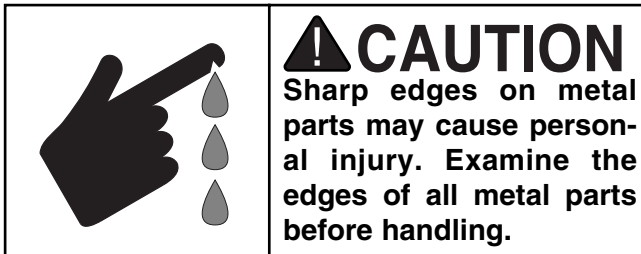
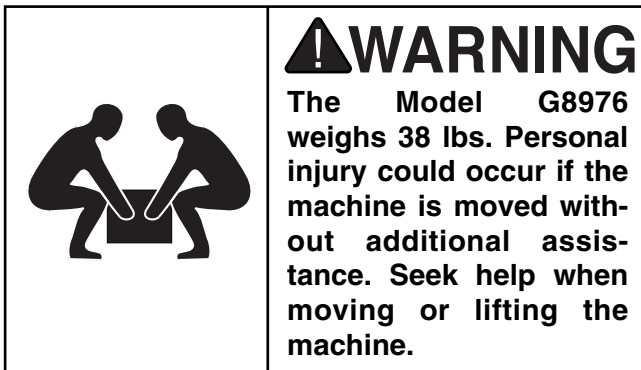
**Figure 3.** Internal view and back view.

- 10. Blade Guide Wheel (1 of 3)
- 11. Drive Belt
- 12. Blade
- 13. Tracking/Tension Adjustment Block
- 14. Table Trunnion Assembly
- 15. Dust Port
- 16. Motor
- 17. Upper Wheel Lock Knob Bolt
- 18. Guide Post Lock Knob Bolt

# SECTION 5: SET UP

## Unpacking

The machine is shipped from the manufacturer in a carefully packed cardboard box. If you discover the machine is damaged after you've signed for delivery, and the truck and driver are gone, you will need to file a freight claim with the carrier. Save the containers and all packing materials for possible inspection by the carrier or its agent. Without the packing materials, filing a freight claim can be difficult. If you need assistance determining whether you need to file a freight claim, or with the procedure to file one, please contact our Customer Service.



When you are completely satisfied with the condition of your shipment, you should inventory its parts.



## G8976 Inventory

- Bandsaw
- Miter Gauge Body
- (2) Machine Base Feet
- M6-1.0 x 25 Knob Bolt
- Hardware Bag #1
  - (2) Motor Brushes
  - 3mm Allen Wrench
  - 5mm Allen Wrench
- Hardware Bag #2
  - (4) M8-1.25 x 25 Hex Bolts
  - (4) M8-1.25 Hex Nuts
  - (1) M6-1.0 x 15 Knob Bolt



Figure 4. G8976 inventory.



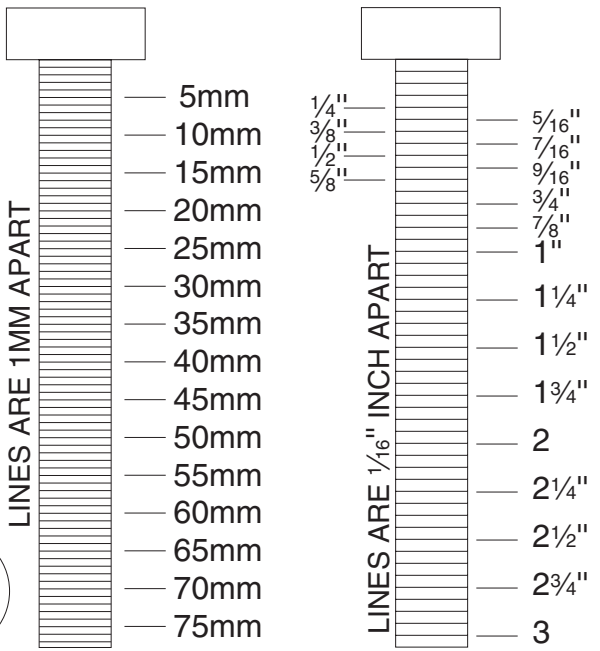
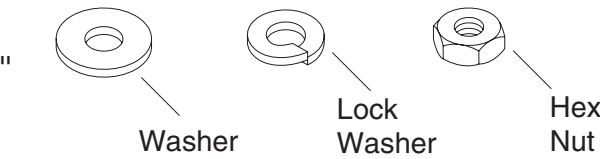
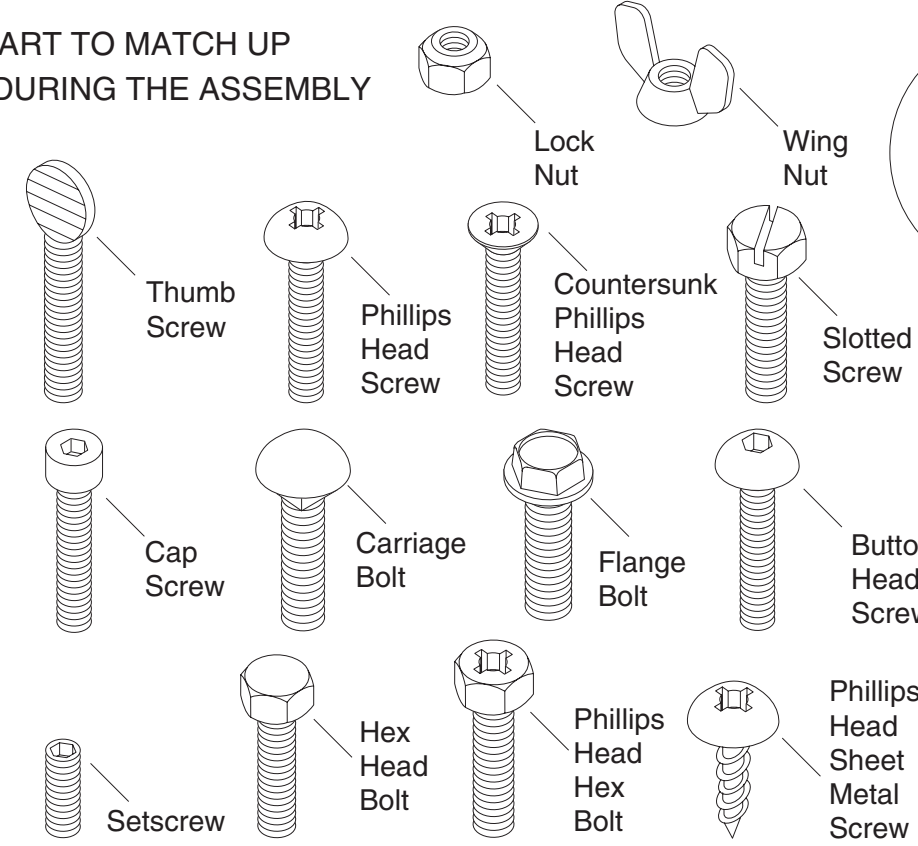
# Hardware Recognition Chart

USE THIS CHART TO MATCH UP  
HARDWARE DURING THE ASSEMBLY  
PROCESS!

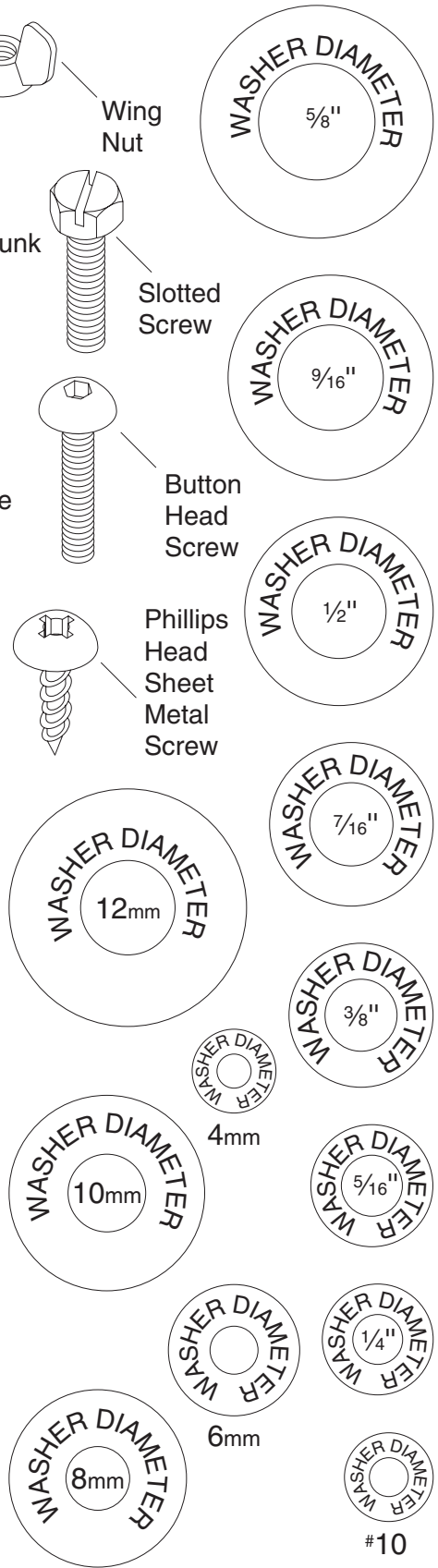
MEASURE BOLT DIAMETER BY PLACING INSIDE CIRCLE

- #10
- 1/4"
- 5/16"
- 3/8"
- 7/16"
- 1/2"
- 5/8"

- 4mm
- 6mm
- 8mm
- 10mm
- 12mm
- 16mm





WASHERS ARE MEASURED BY THE INSIDE DIAMETER

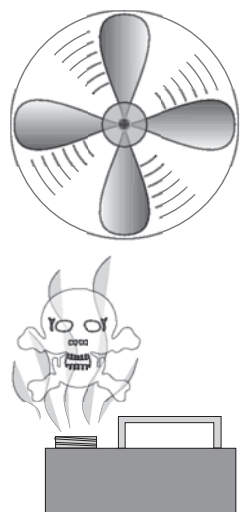


# Clean Up

The unpainted surfaces are coated with a waxy oil to protect them from corrosion during shipment. Remove this protective coating with a solvent cleaner or citrus-based degreaser such as Grizzly's G7895 Degreaser. To clean thoroughly, some parts may need to be removed. **For optimum performance from your machine, make sure you clean all moving parts or sliding contact surfaces that are coated.** Avoid chlorine-based solvents as they may damage painted surfaces should they come in contact.

	<b>!WARNING</b> Gasoline and petroleum products have low flash points and could explode if used to clean machinery. <b>DO NOT</b> use gasoline or petroleum products to clean the machinery.
--	---

	<b>!WARNING</b> Smoking near solvents could ignite an explosion or fire and cause serious injury. <b>DO NOT</b> smoke while using solvents.
---	--

	<b>!WARNING</b> Lack of ventilation while using solvents could cause serious personal health risks, fire, or environmental hazards. Always work in a well ventilated area to prevent the accumulation of dangerous fumes. Supply the work area with a constant source of fresh air.
---	--



# Site Considerations

## Weight Load

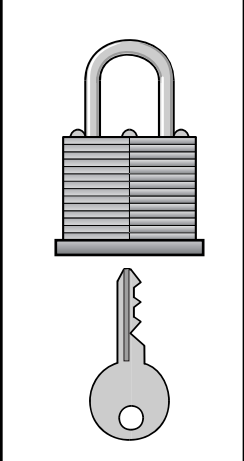
The Model G8976 is a small weight load with a small footprint. Most shop floors and workbenches should be sufficient to carry the weight of the machine. Reinforce the floor and workbench if you question its ability to support the weight.

## Working Clearance

Working clearances can be thought of as the distances between machines and obstacles that allow safe operation of every machine without limitation. Consider existing and anticipated machine needs, size of material to be processed through each machine, and space for auxiliary stands or work tables. Also consider the relative position of each machine to one another for efficient material handling.

## Lighting And Outlets

Lighting should be bright enough to eliminate shadow and prevent eye strain. Electrical circuits should be dedicated or large enough to handle the amperage draw. Outlets should be located near each machine so power or extension cords are clear of high-traffic areas. Observe local electrical codes for proper installation of new lighting, outlets, or circuits.

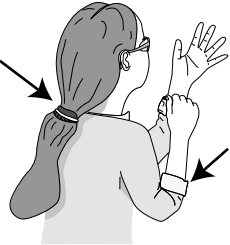
	<b>!WARNING</b> Unsupervised children and visitors inside your shop could receive serious personal injury. Ensure child and visitor safety by keeping all entrances to the shop locked at all times. <b>DO NOT</b> allow unsupervised children or visitors in the shop at any time.
--	--

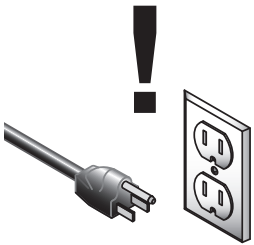



# Beginning Assembly

This section will cover the basic assembly and adjustment instructions needed to begin operation. Complete the assembly in the order provided in this manual and then read the remaining portion of the manual before attempting any type of operation.

**Your safety is important! Please follow the warnings below during this entire section:**

	<p><b>⚠️ WARNING</b> Loose hair and clothing could get caught in machinery and cause serious personal injury. Keep loose clothing rolled up and long hair tied up and away from machinery.</p>
---	--

	<p><b>⚠️ WARNING</b> Serious personal injury could occur if you connect your machine to the power source before you have completed the assembly process. <b>DO NOT</b> connect the machine to the power source until instructed to do so.</p>
---	---

	<p><b>⚠️ CAUTION</b> Sharp edges on metal parts may cause personal injury. Examine the edges of all metal parts before handling.</p>
---	--



# Base Feet

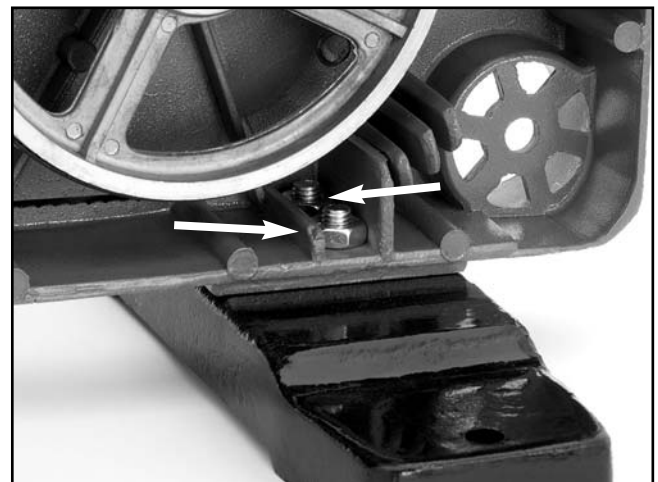
**To attach the base feet to the bandsaw:**

1. Remove the four knob bolts from the side cover (**Figure 5**).



**Figure 5.** Removing the side cover knob bolts.

2. Attach the base feet to the bottom of the bandsaw with the M8-1.25 x 25 hex bolts and the M8-1.25 hex nuts (**Figure 6**). Note—*The hex bolts extend up through the bottom of the feet, and through the bottom of the bandsaw, where they are secured with the hex nut.*



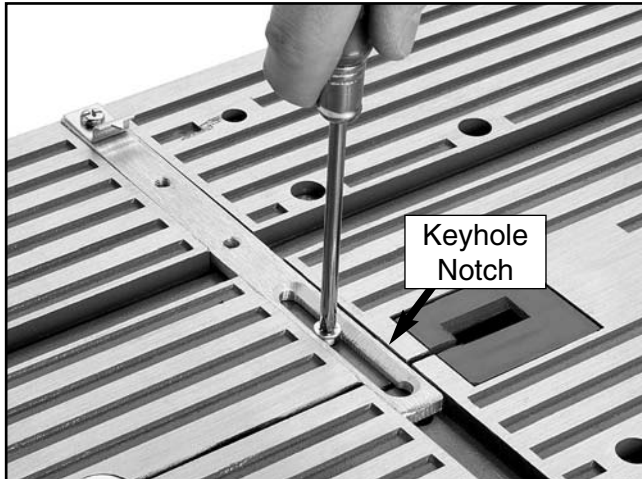
**Figure 6.** Base foot attached to the bandsaw.



# Table

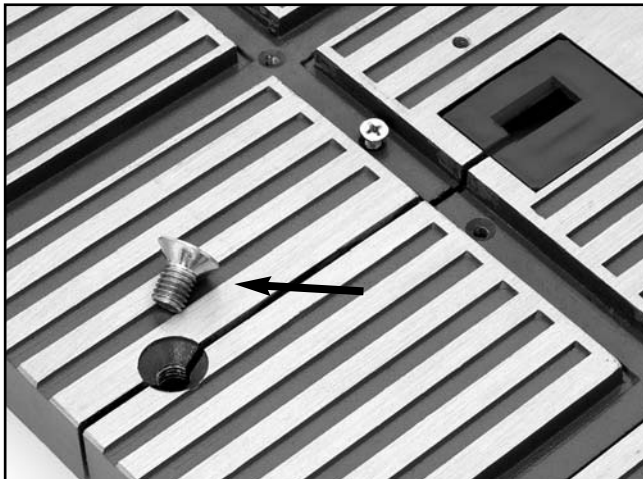
## To attach the table to the bandsaw:

1. Loosen the screw that secures the miter bar to the table (**Figure 7**). DO NOT remove the screw.



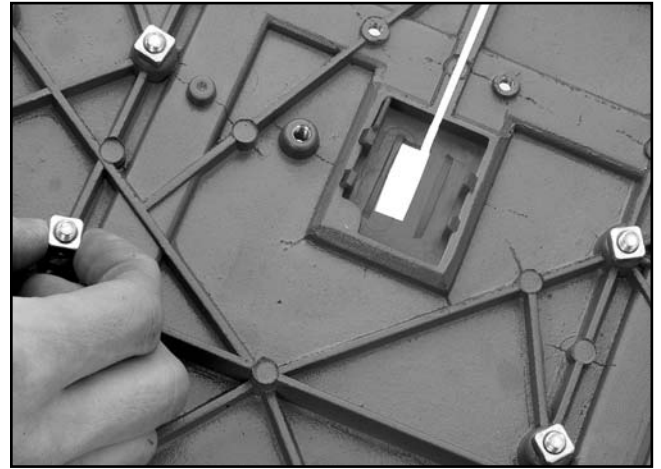
**Figure 7.** Loosening the screw that secures the miter bar to the table.

2. Slide the miter bar keyhole notch (**Figure 7**) off of the screw loosened in **step 1**.
3. Loosen and remove the phillips screw in the blade slot of the table (**Figure 8**).



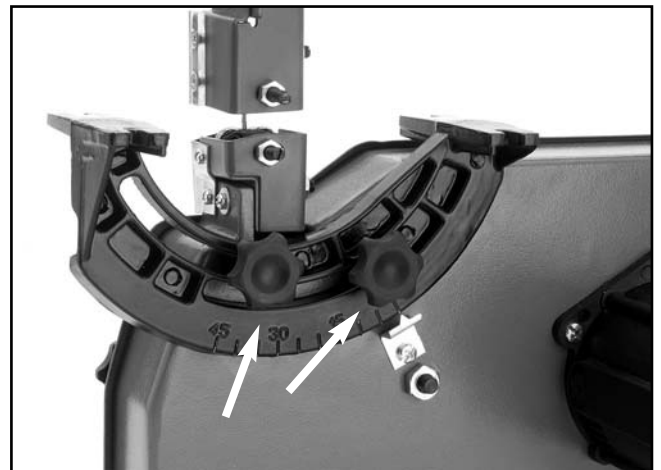
**Figure 8.** Phillips screw removed from table.

4. Loosen the hex nuts on the four phillips mounting screws (**Figure 9**).



**Figure 9.** Loosening the mounting screws.

5. Remove the knob bolts that secure the trunnion to the saw and set the trunnion aside (**Figure 10**).



**Figure 10.** The trunnion knob bolts.

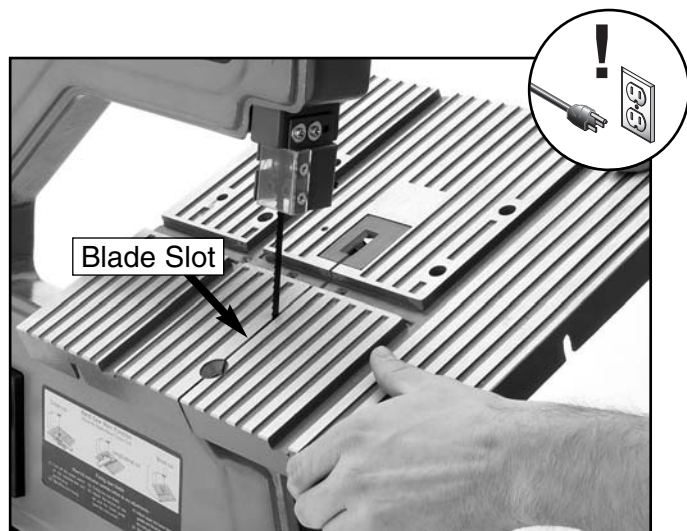
6. Remove 2 of the 4 hex nuts from the phillips mounting screws and slide the trunnion onto the bottom of the table (**Figure 11**).



**Figure 11.** Sliding the trunnion onto the table.

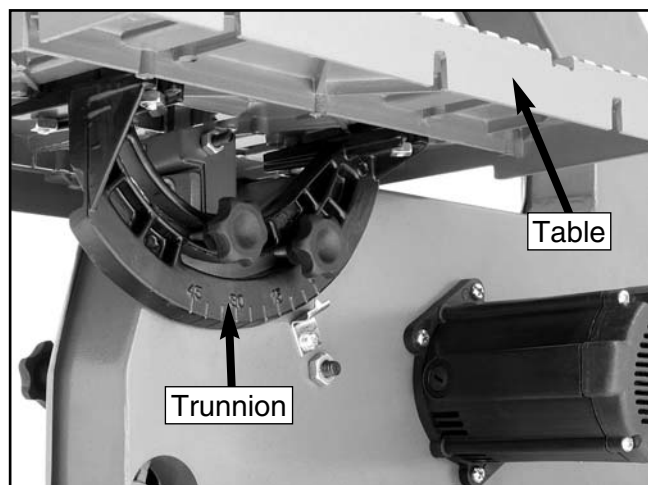


- Slide the blade slot in the table around the blade (**Figure 12**) and position the table trunnion against the back of the bandsaw.



**Figure 12.** Attaching the table to the bandsaw.

- Secure the table/trunnion assembly to the bandsaw with the two knob bolts that were removed in **step 5**, (**Figure 13**).



**Figure 13.** View of the table/trunnion assembly attached to the body of the bandsaw.

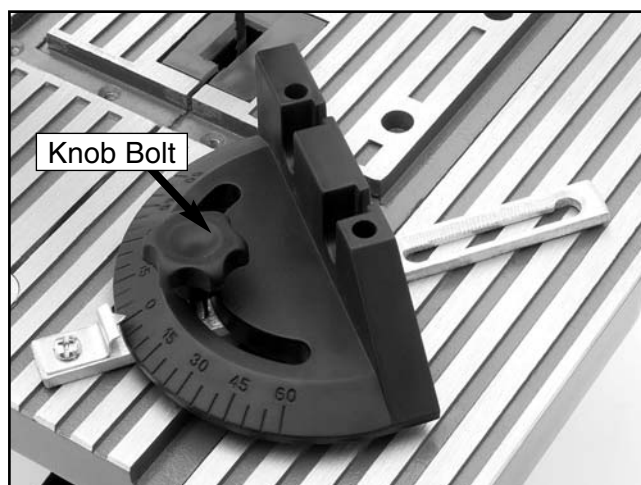
- Re-insert the phillips screw that was removed in **step 3**.



# Miter Gauge

**To assemble the miter gauge:**

- Slide the “peg” on the bottom of the miter body into the hole centered on the miter bar.
- Secure the miter body to the miter bar with the M6-1.0 x 15 knob bolt, (**Figure 14**).



**Figure 14.** Assembled miter gauge.



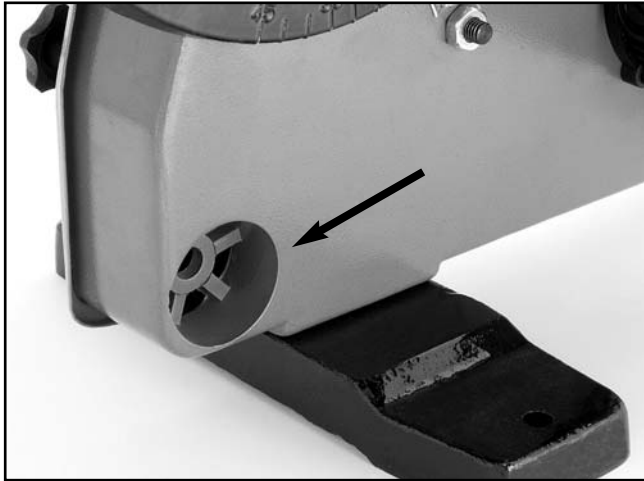
# Dust Collection

---

---

## To attach a dust collection hose:

Hook up a Shop Vac® or dust collection system to the 1 $\frac{5}{8}$ " port located on the lower corner of the bandsaw (**Figure 15**).



**Figure 15.** Dust collection port.



# Bench Mounting

---

---

## To mount the bandsaw to a workbench:

Secure the bandsaw to a workbench with 1/4"-20 lag bolts (**Figure 16**).



**Figure 16.** Base feet mounting holes (2 of 4).



# Blade Tracking

The blade tracking is primarily affected by the adjustment of the top wheel. To ensure operator safety, the blade tracking should be checked before the machine is operated.

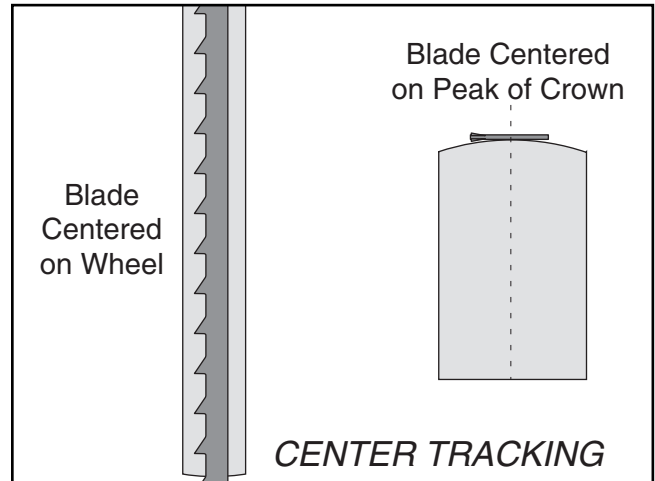
## To check and adjust the blade tracking:

1. **Disconnect the machine from the power source!**
2. Adjust the upper and lower guide bearings and support bearings away from the blade. See “Adjusting Support Bearings” subsection on **page 20** and “Adjusting Guide Bearings” subsection on **page 21** for more information.
3. Remove the side cover if not already done.
4. Loosen the wheel lock knob bolt on the back-side of the bandsaw (**Figure 17**).



**Figure 17.** Loosening the wheel locking knob.

5. Spin the upper wheel by hand at least three times and watch how the blade rides on the crown of the wheel. Refer to **Figure 18** for an illustration of this concept.

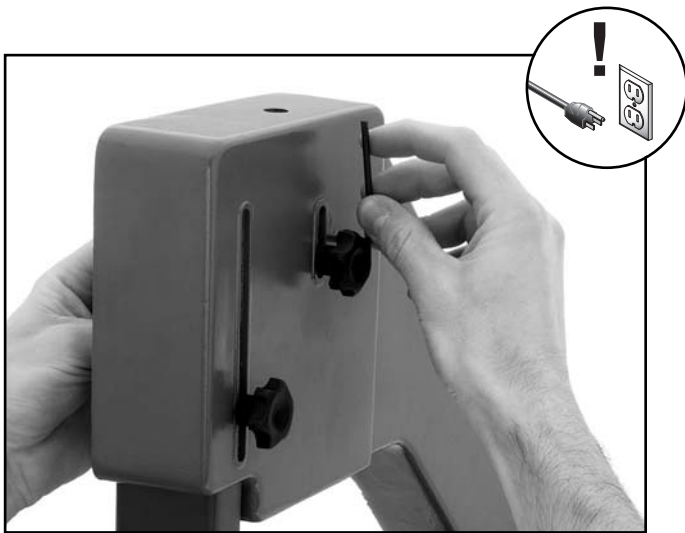


**Figure 18.** Center tracking profiles.

—If the blade rides in the center of the upper wheel and is centered on the peak of the wheel crown, then the bandsaw is already tracked properly and no further adjustments are needed at this time.

—If the blade does not ride in the center of the upper wheel and is not centered on the peak of the wheel crown, then continue with the following steps.

6. Use a 3mm Allen wrench to adjust the tracking setscrew while spinning the upper wheel. Adjust the tracking setscrew (**Figure 19**) until the blade rides along the center of the bandsaw wheels.



**Figure 19.** Adjusting the blade tracking.

7. Tighten the knob bolt loosened in **step 4**.

*For the best performance from your saw, regularly maintain the proper blade tracking.*

## **NOTICE**

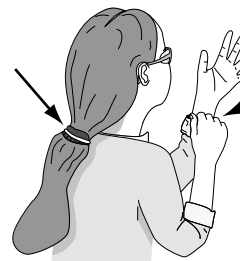
Always check the blade tracking after other adjustments to the blade are made and if a new blade is installed.



# Start Up

## **⚠️ WARNING**

Serious personal injury could result if the machine is connected to the power source during assembly or adjustment. Wait until the machine is turned off, unplugged and all working parts have come to a complete stop before you attempt to assemble or adjust the machine!



## **⚠️ WARNING**

Loose hair and clothing could get caught in machinery and cause serious personal injury. Keep loose clothing rolled up and long hair tied up and away from machinery.



## **⚠️ WARNING**

Projectiles from the machine could cause serious eye injury. Wear safety glasses at all times.

### **Before starting the machine:**

1. Read this manual and make sure you understand *Section 1: Safety*, beginning on **page 2**.
2. Follow the directions in the “Blade Tracking” sub-section, beginning on **page 17**.
3. Make sure the upper and lower guide bearings and support bearings are adjusted away from the blade. See “Adjusting Support Bearings” subsection on **page 20** and “Adjusting Guide Bearings” subsection on **page 21** for more information.
4. Review *Section 3: Circuit Requirements*, beginning on **page 6**, and make any necessary changes.

## Starting the machine:

1. **Wear safety glasses at all times when running the machine!**
2. Plug the machine into the power source.
3. Flip the power switch shown in **Figure 20** to the *ON* position. Make sure your finger is poised to flip the switch to the *OFF* position, just in case of an emergency. The machine should run smoothly, with little or no vibration or rubbing noises. Strange or unnatural noises should be investigated and corrected before operating the machine further.



**Figure 20.** Power switch.

If the machine seems to be running correctly, let it run for a short time to ensure that the moving parts are working properly with no excessive vibration. **DO NOT** operate the machine if problems cannot be corrected.

If you cannot locate the source of unusual noises, feel free to contact our service department at (570) 546-9663.



# Tensioning Blade

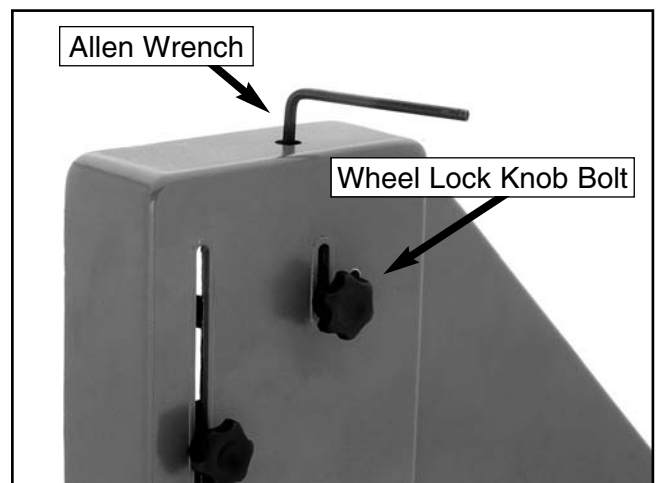
## ***NOTICE***

**Final blade tensioning requires the machine to be started.**

A properly tensioned blade is essential for making accurate cuts and is a prerequisite for many other adjustments.

### To tension the bandsaw blade:

1. Make sure the blade is tracking correctly as described on **page 17**.
2. Make sure you have followed the instructions in the “Start Up” sub-section on the previous page.
3. Loosen the wheel lock knob bolt on the backside of the bandsaw (**Figure 21**).
4. Flip the power switch to the *ON* position.
5. Using a 5mm Allen wrench, release the tension one quarter of a counter-clockwise turn at a time (**Figure 21**). Do this very slowly. When you see the bandsaw blade start to flutter between the upper and lower blade guides, stop releasing the tension.



**Figure 21.** Blade tension components.

6. Now, slowly increase the tension until the blade stops fluttering, then tighten the tension one more quarter of a turn.
7. Tighten the wheel lock knob bolt loosened in **step 3**.

## ***NOTICE***

All bandsaw blades will stretch. To reduce this stretching, remove the tension from the blade when not in use.

## ***NOTICE***

After blade tension and tracking are set correctly, properly adjust the upper and lower support bearings and guide-block assemblies into position before cutting operations.

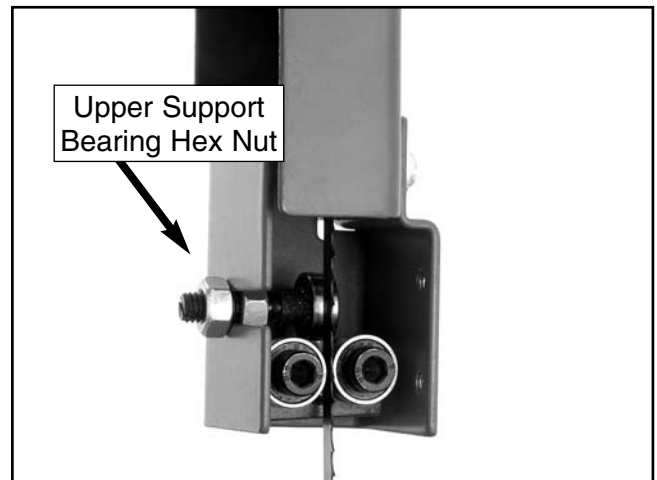


# Adjusting Support Bearings

The support bearings are positioned behind the blade. They support the back of the blade during cutting operations. Proper adjustment of the support bearings ensures accurate cuts by eliminating front-to-back blade flex. There is a support bearing both above and below the table.

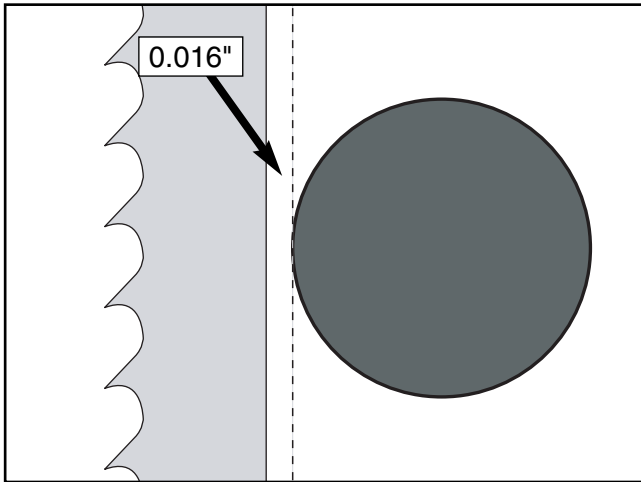
### To adjust the support bearings:

1. Make sure the blade is tracking properly and that it is correctly tensioned.
2. **Disconnect the machine from the power source!**
3. Loosen the hex nut shown in **Figure 22**.



**Figure 22.** Upper blade guide assembly.

4. Position the support bearings approximately .016" away from the back of the blade as illustrated in **Figure 23**.



**Figure 23.** Correct support bearing positioning.

5. Tighten the hex nuts that were loosened in **step 3** to secure the position of the support bearings.

## ***NOTICE***

Whenever changing a blade or adjusting tension and tracking, the upper and lower blade support bearings and guide blocks must be properly adjusted before cutting operations.

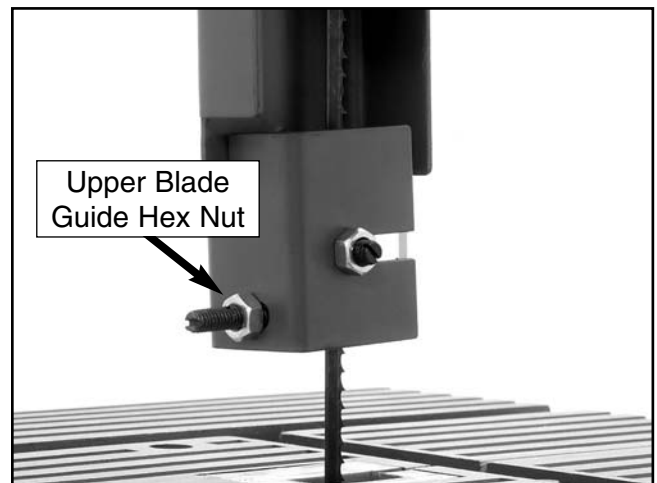


# Adjusting Blade Guides

The blade guides support the sides of the blade while a cutting operation is being performed. The blade guides are designed to be adjusted in two ways—forward/backward and side-to-side. Proper adjustment of the blade guides ensures accurate cuts by eliminating back-and-forth blade flex. There is a set of blade guides both above and below the table.

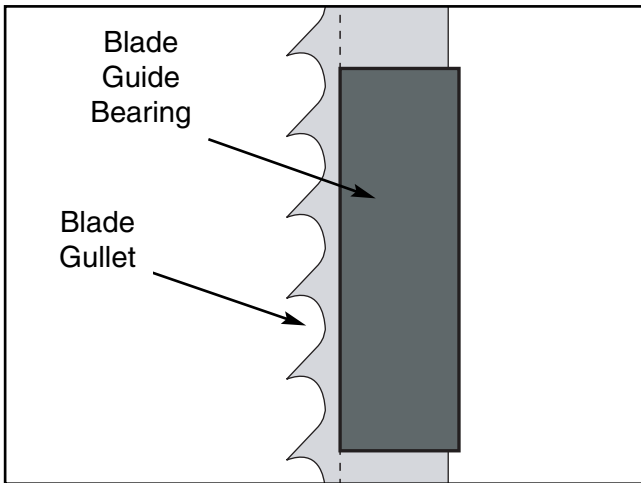
**To adjust the upper and lower blade guides:**

1. **Disconnect the machine from the power source!**
2. Loosen the hex nut shown in **Figure 24**.



**Figure 24.** Upper blade guide assembly.

3. Position the blade guides so that the edges of the bearings are just behind the blade gullets as illustrated in **Figure 25**.



**Figure 25.** Correct blade guide position.

4. Tighten the hex nut that was loosened in **step 2** to secure the position of the blade guides.
5. Repeat the procedure for the lower blade guides.

## **NOTICE**

Whenever changing a blade or adjusting tension and tracking, the upper and lower blade support bearings and guide blocks must be properly adjusted before cutting operations.

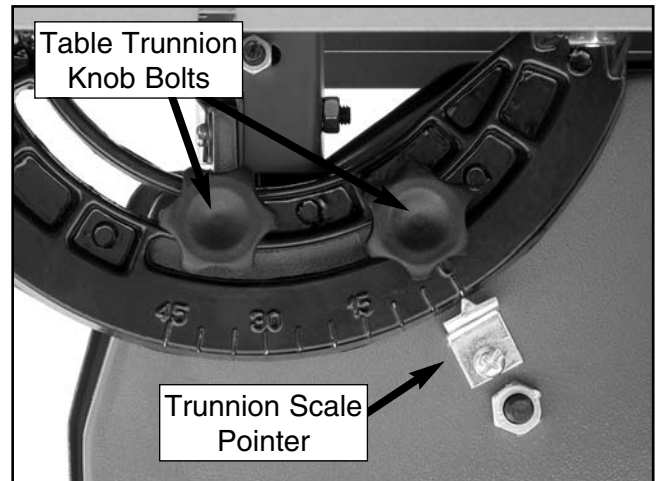


# Trunnion Scale Pointer

The table needs to be positioned 90° to the blade so the trunnion scale pointer can be correctly set.

**To adjust the trunnion scale pointer:**

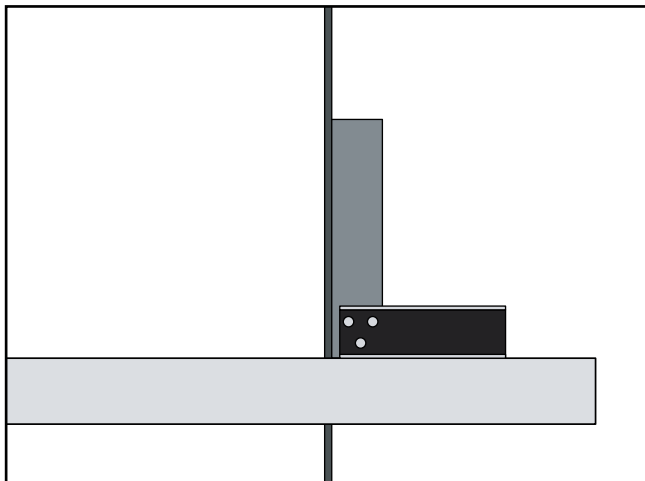
1. Make sure the blade is tracking properly and is correctly tensioned.
2. **Disconnect the machine from the power source!**
3. Loosen the two knob bolts that secure the table trunnion to the side of the bandsaw (**Figure 26**).



**Figure 26.** Trunnion assembly.



4. Raise the upper blade guide assembly and place a 6" machinist's square or try-square on the table next to the side of the blade as illustrated in **Figure 27**.



**Figure 27.** Squaring table to blade.

5. Adjust the table until it is 90° to the blade.
6. Tighten the knob bolts loosened in **step 3**.
7. Adjust the trunnion scale pointer to the 0° mark as shown in **Figure 26**.



# SECTION 6: OPERATIONS

## Operation Safety

Your safety is important! Please follow the warnings below during this entire section:

### **!WARNING**

To avoid serious personal injury, read and become familiar with the entire instruction manual before using the Model G8976.

### **!WARNING**

Damage to your eyes, lungs, and ears could result from failure to wear safety glasses, a dust mask, and hearing protection while sanding with this machine.



### **!WARNING**

Loose hair and clothing could get caught in machinery and cause serious personal injury. Keep loose clothing rolled up and long hair tied up and away from machinery.

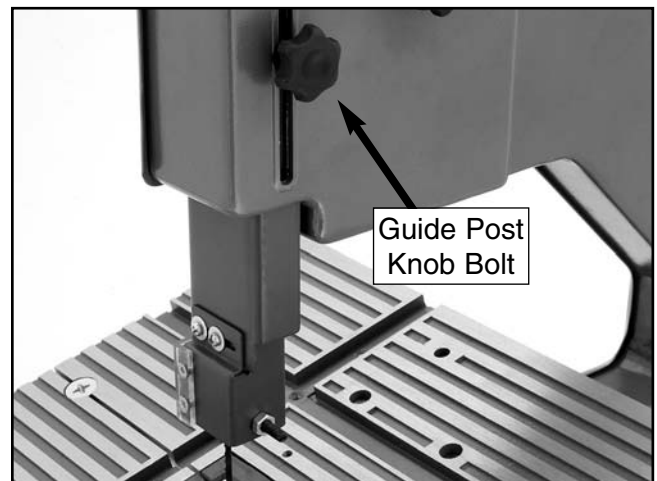


## Guide Post

The guide post moves the upper blade guide assembly up and down. The guide post/upper blade guide assembly is set correctly when the bottom edge of the guide bearings are approximately  $\frac{1}{4}$ " above the top surface of the workpiece being cut.

To adjust the guide post:

1. Disconnect the machine from the power source!
2. Loosen the guide post knob bolt shown in Figure 28.
3. Slide the guide post/upper blade guide assembly to approximately  $\frac{1}{4}$ " above the top surface of the workpiece.
4. Tighten the guide post knob bolt.



**Figure 28.** Release the guide post knob bolt before adjusting the guide post/upper blade guide assembly.



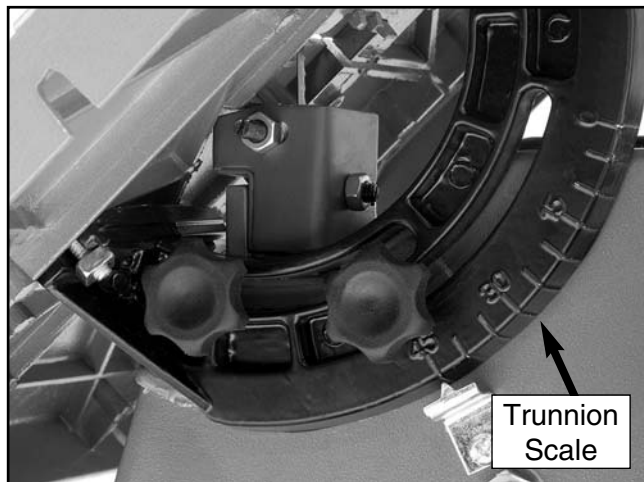
---

---

# Table Tilt

## To adjust the table tilt:

1. **Disconnect the machine from the power source!**
2. Loosen the two knob bolts that secure the table trunnion to the side of the bandsaw.
3. Use the trunnion scale to adjust the table to the desired angle (**Figure 29**).
4. Tighten the knob bolts loosened in **step 2**.



**Figure 29** Table adjusted to 45°.



---

---

# Ripping

Ripping is cutting with the grain direction of the workpiece. Ripping man-made wood products (like plywood) is cutting parallel to the longest side.

## To perform a rip cut:

1. Mount the miter bar into the table groove that has the phillips mounting screw when a rip fence is needed. Note—*The miter bar can be adjusted back and forth in the table groove.*
2. Adjust the guide post/upper blade guide assembly to approximately ¼" above the top surface of the workpiece.
3. Joint one long edge of the workpiece on a jointer to ensure a true straight edge along the face of the miter body.
4. Using a push stick, feed the workpiece through the saw blade as shown in **Figure 30**. Note—*The jointed edge of the workpiece must be against the fence during this operation.*



**Figure 30.** Ripping with a push stick.



---

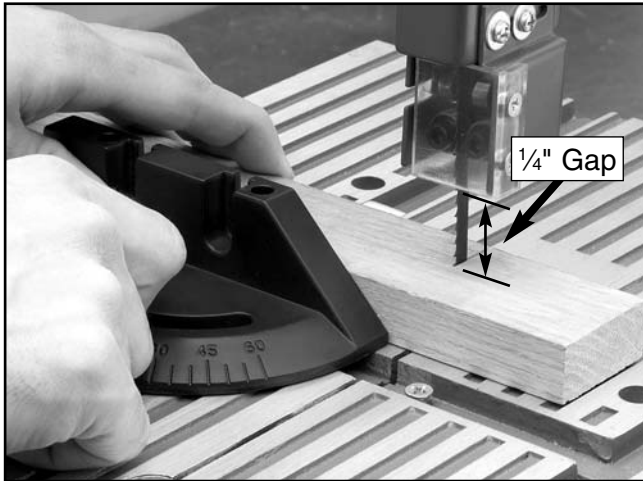
---

# Crosscutting

Crosscutting is cutting against the grain direction of the workpiece. Crosscutting man-made wood products (like plywood) is cutting parallel to the shortest side.

## To perform a 90° crosscut:

1. Adjust the miter gauge to the 90° position.
2. Adjust the guide post/upper blade guide assembly to approximately ¼" (**Figure 31**) above the top surface of the workpiece, or to where the miter body can move unimpeded.
3. Position the workpiece against the miter gauge and line up the cut line with the blade.
4. While holding the workpiece against the miter gauge, feed the workpiece through the saw blade as shown in **Figure 31**.



**Figure 31.** Crosscutting with a miter gauge.



---

---

# Resawing

Resawing (**Figure 32**) is cutting a board into thinner pieces. The maximum cutting height is 3<sup>7</sup>/<sub>8</sub>".

## To perform a resaw cut:

1. Install the widest blade available for your bandsaw when performing resaw operations. The cut will be straighter and more accurate. Note—*The Model G9173 (3/8" x 62", 6 TPI) Hook Blade is a good choice for resawing and it is available in the current Grizzly Catalog.*
2. Adjust the guide post/blade guide assembly to approximately ¼" above the top surface of the workpiece.
3. Joint one face of the workpiece on a jointer.
4. Using a push paddle, slowly feed the workpiece through the saw blade as shown in **Figure 32**. Note—*The jointed face of the workpiece must be against the fence during this operation.*



**Figure 32.** Resawing lumber.



# Blade Lead

---

---

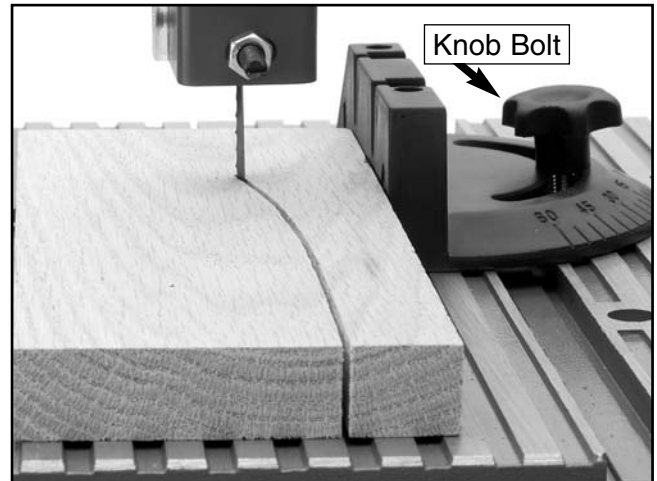
It is common for a bandsaw blade to wander off the cut line when sawing (**Figure 33**). This is called “blade lead.”

## To correct blade lead:

1. Verify that the miter slot and fence are parallel to the side of the blade.
2. Make sure the blade is tracking properly and that it is correctly tensioned.
3. If the blade tension and tracking are correctly adjusted, and it is not convenient to replace the blade, compensate for lead by skewing the fence.

## To skew the fence:

1. Obtain a piece of scrap wood that is approximately  $\frac{3}{4}$ " thick x 3" wide x 17" long. On the wide face of the board, draw a straight line parallel to the long edge.
2. Slide the fence out of the way and cut free-hand along the line. Stop at the halfway point. Turn the bandsaw off and wait for the blade to stop.
3. Carefully clamp the board to the bandsaw table.



**Figure 33.** Blade leading away from line of cut.

4. Now, slide the fence over to the board so it barely touches the edge of the board.
5. Loosen the knob bolt that secures the fence angle position (**Figure 33**).
6. Skew the fence left or right so it is parallel to the edge of the scrap piece.
7. While maintaining the skew, tighten the knob bolt loosened in **step 5**.

## ***NOTICE***

**Blade lead adjustments may need to be re-adjusted whenever a new blade is mounted on the saw.**



# Cutting Curves

## **NOTICE**

**Refer to Figure 36 on page 29 to determine the best blade for cutting various curves.**

When cutting curves, simultaneously feed and turn the stock carefully so that the blade follows the layout line without being twisted. If a curve is so abrupt that it is necessary to repeatedly back up and cut a new kerf, use either a narrower blade or a blade with more teeth-per-inch (TPI). A blade with more TPI can cut relatively tighter curves, though the cut is usually rougher than cuts produced by a blade with a medium amount of TPI.

Always make short cuts first, then proceed to the longer cuts. Relief cuts will also reduce the chance that the blade will be pinched or twisted. Relief cuts are cuts made through the waste portion of the workpiece and are stopped at the cut line. Make relief cuts from the workpiece edge to points along the cut line where there are sharp changes in direction. As you cut along the layout line, waste wood is released from the workpiece, alleviating any pressure on the back of the blade.

## **NOTICE**

**Relief cuts require you to back the blade out of the cut. Make relief cuts as short and straight as possible so the blade only has a short distance to back out.**

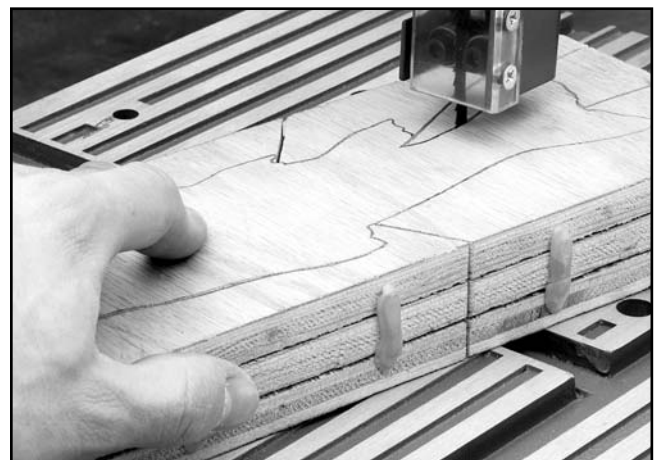


# Stacked Cuts

Before making stacked cuts, make sure both the table and the blade are square to one another. If the table and blade are not square to one another, the cut-out workpieces will not be the same size.

## **To perform a stacked cut:**

1. Draw the project cut lines on one of the workpieces. There should be at least an inch of scrap area around the outside of the project cut lines.
2. Stack matching sized workpieces on top of one another.
3. Secure the workpieces to one another with hot glue on the sides of the workpiece or brads in the scrap area on the outside of the project cut lines.
4. Draw relief lines where the blade or workpiece may become strained when cutting. Refer to the previous sub-section, "Cutting Curves," for more information on relief cuts.
5. Make all of the cuts on the relief cut lines.
6. Cut out the final shape of the workpiece by cutting along the project cut lines as shown in **Figure 34**.



**Figure 34.** Cutting multiple pieces at once.



# Blade Speed

The Model G8976 blade speed is variable and can be adjusted from 50 to 2300 FPM. Blade speed adjustments are made by turning the blade speed knob below the power switch (Figure 35).

## NOTICE

Most woodcutting can be performed successfully at the higher blade speeds. Slower blade speeds generally produce better results when cutting hardwoods, intricate curves, or when an exceptionally smooth cut is desired.

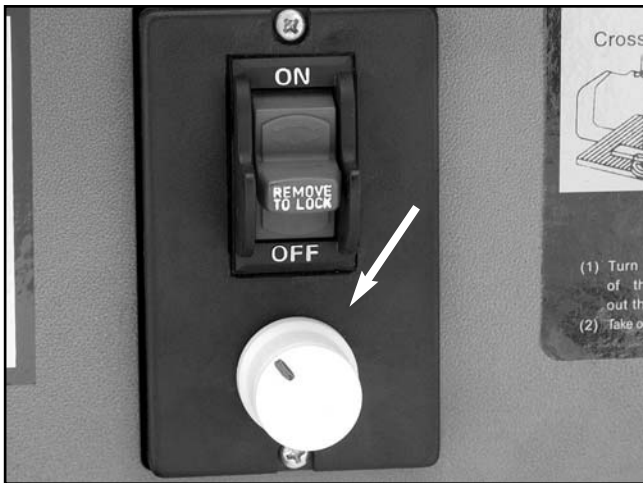


Figure 35. Blade speed knob.



# Blade Selection

## NOTICE

Cutting with the bandsaw without correctly adjusting the tracking and tension may result in the blade falling off the wheels, causing damage to the machine. Read and follow the directions in *Section 5: Set Up* after changing or adjusting the saw blade.

A combination of factors must be considered when selecting the correct blade for a particular cutting operation.

### BLADE WIDTH

The Model G8976 can use blades from  $\frac{1}{4}$ " to  $\frac{3}{8}$ " in width. Blade width dictates the largest and smallest curves that can be cut, as well as how accurately it can cut a straight line.

- Curve Cutting — Use the chart in **Figure 36** to determine the correct blade for curve cutting. Determine the smallest radius curve that will be cut on your workpiece and use the corresponding width blade.

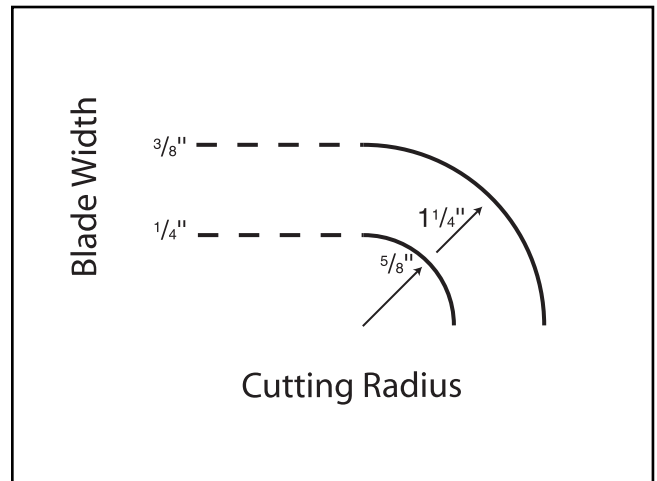
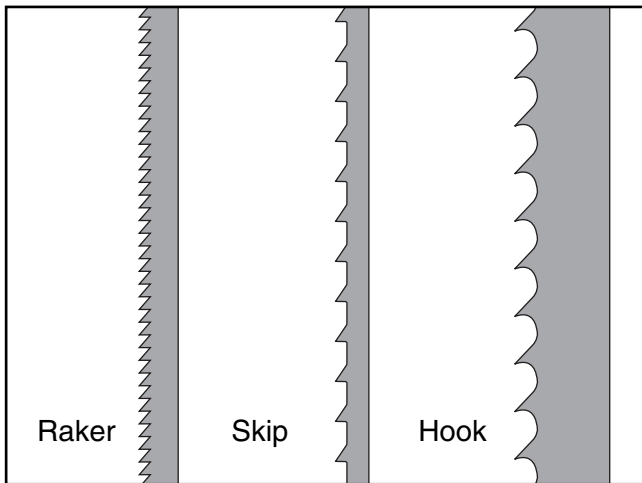


Figure 36. Determining correct blade width for cutting various curve sizes.

- Straight Cutting — Use the largest width blade that you own.

## TOOTH STYLE

Tooth shape, gullet size, and cut angle are all factors that determine the tooth style. **Figure 37** illustrates the three main categories of tooth style.



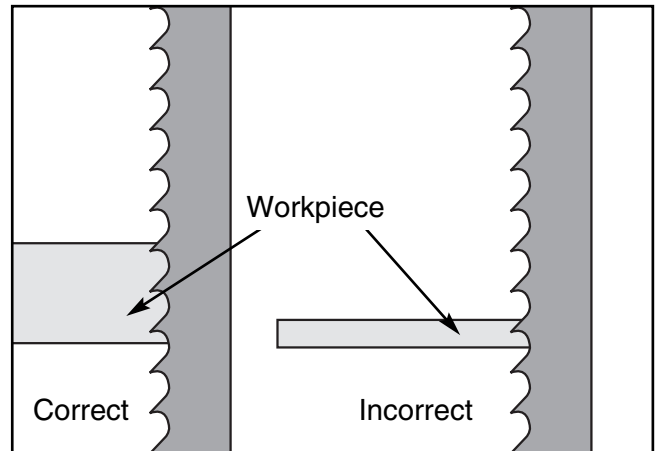
**Figure 37.** Raker, skip and hook tooth styles.

- **RAKER** — This style is considered to be the standard because the tooth size and shape are the same as the tooth gullet. The teeth on Raker blades are usually very numerous, have no angle, and produce cuts by scraping the material; these characteristics result in very smooth cuts, but at the same time do not cut fast and generate more heat while cutting. These blades also work well for cutting curves.
- **SKIP** — This style is like a raker blade that is missing every other tooth. Because of the design, skip toothed blades have a much larger gullet than raker blades, and therefore, cut faster and generate less heat. However, these blades also leave a rougher cut than raker blades. Great for resawing and ripping thin stock.
- **HOOK** — The teeth on this style have a positive angle (downward) which makes them dig into the material, and the gullets are usually rounded for easier waste removal. These blades are excellent for the tough demands of resawing and ripping thick stock.

## TOOTH PITCH

Usually measured as TPI, tooth pitch refers to the number of teeth-per-inch. More teeth-per-inch (fine pitch) will cut slower, but will produce a smoother cut; while fewer teeth-per-inch (coarse pitch) will cut faster, but will produce a rougher cut.

As a general rule, choose blades that will have at least three teeth in the cut as shown in **Figure 38**. Fewer TPI are best for softer, wetter woods. Higher TPI are best for harder, drier woods.



**Figure 38.** Determining correct tooth pitch for workpiece thickness.



## **BLADE BREAKAGE**

Many factors can cause a blade to break. Breakage is often unavoidable because of the high levels of stress and strain applied to the blade. Avoidable breakage is usually the result of improper care or judgement on the part of the operator when mounting or adjusting the blade or support guides.

### **The most common causes of blade breakage are:**

- Incorrect alignment and adjustment of the blade guides.
- Forcing or twisting a wide blade around a tight curve.
- Feeding the wood into the blade too fast.
- Using a dull blade.
- Excessive blade tension.
- Top blade guide assembly set too high above the workpiece.
- Using a blade with a braze or weld that is not smooth.

## **BLADE CARE**

When taken care of correctly, bandsaw blades will provide a long usable life. When not handled, used, cleaned, or stored correctly, blades will quickly lose their ability to perform accurate and reliable cuts.

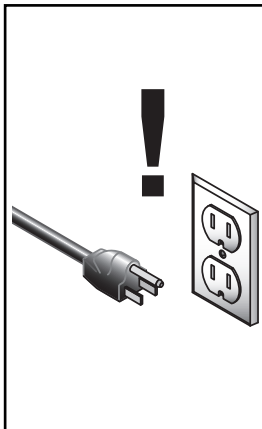
- **Handling** — Bandsaw blades may become damaged if they are not handled with care. Never leave the blade laying on the floor or a table where it can be stepped on or where something can be placed on it.
- **Usage** — Be sure to select blades with the proper width, style, and pitch for each application. Using the wrong blade will often produce excessive heat which can shorten the usable life of the blade.
- **Cleaning** — A clean blade will perform much better than a dirty blade. Dirty blades pass through the material being cut with more resistance than clean blades, causing excessive heat. Cleaners like OxiSolv® Blade & Bit Cleaner are available in the Grizzly catalog.
- **Storage** — A wall rack is the ideal location for storing blades.

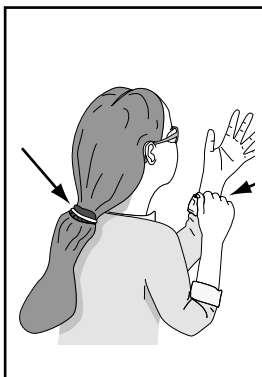


# SECTION 7: MAINTENANCE

## Maintenance Safety

Your safety is important! Please follow the warnings below during this entire section:

	<p><b>⚠️ WARNING</b> Serious personal injury could occur if you connect your machine to the power source during the maintenance process. <b>DO NOT</b> connect the machine to the power source while performing any maintenance on this machine.</p>
---	--

	<p><b>⚠️ WARNING</b> Loose hair and clothing could get caught in machinery and cause serious personal injury. <b>Keep loose clothing rolled up and long hair tied up and away from machinery.</b></p>
--	---

	<p><b>⚠️ WARNING</b> Projectiles from the machine could cause serious eye injury. <b>Wear safety glasses at all times.</b></p>
---	--



## Schedule

Check the following items before you use the bandsaw:

- Loose mounting bolts.
- Worn or damaged blade.
- Worn or damaged wires.
- Worn or damaged guide bearings.
- Any other condition that could hamper the safe operation of this machine.

Perform the following tasks at the scheduled time intervals:

### After Each Use

- Wipe off the sawdust build-up from the table surface.
- With the blade removed, wipe off the sawdust build-up from the wheel tires and the wheel brush.
- Check the guide bearings for sawdust build-up. Clean if necessary.

### Weekly

- Wipe a lubricant such as SLIPIT® onto the table.

### Long-Term Storage

- Keep unpainted surfaces rust free with products such as Boeshield® T-9.



# Maintenance Log

---

---

Date	Approximate Hours Of Use	Maintenance Performed



# Blade Changes

---

---

To change the blade:

1. **Unplug the machine from the power source!**
2. Remove the front cover.
3. Remove the screw that is located in the table blade slot.
4. Loosen the tension on the blade.
5. Wearing leather gloves, slowly spin the blade while pulling it off of the wheels.
6. Carefully slide the blade through the blade slot in the table.
7. Store the blade in a safe place.
8. Reverse the above steps when installing a blade.



# Motor Brushes

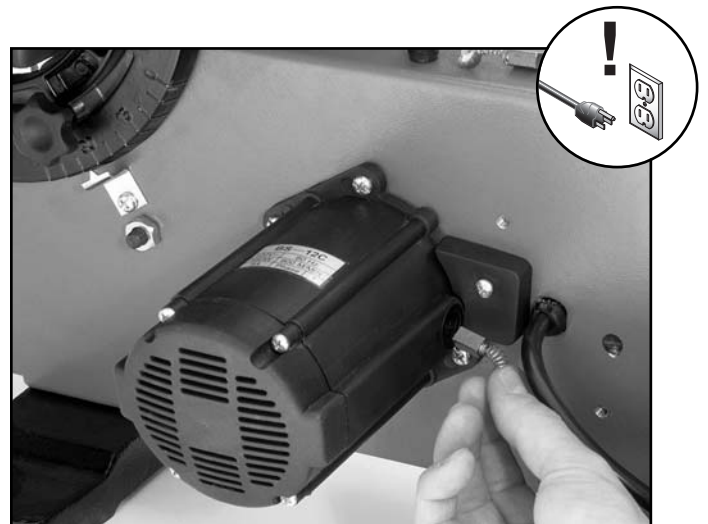
---

---

Periodically, the motor brushes need to be inspected for wear and damage (**Figure 39**).

Use a flat head screwdriver to remove the motor brush covers. Remove the brushes and inspect them. Brushes that are in usable condition will have no cracks or broken-off sections. There should only be a light grey build-up of carbon on the concave face of the brushes.

Replace the brushes if they are damaged or if they are coated with thick black carbon deposits.



**Figure 39.** Motor brush inspection.



# SECTION 8: REFERENCE INFO

---

---

## General

---

---

This section contains the following subsections for the Model G8976: aftermarket accessories, data sheets, wiring diagrams, parts diagrams and list, troubleshooting, and warranty/return information.

If you need parts or help in assembling your machine, or if you need operational information, call the service department at (570) 546-9663. Trained service technicians will be glad to help you.

If you have any comments regarding this manual, please write to Grizzly at the address below:

Grizzly Industrial, Inc.  
c/o Technical Documentation  
P.O. Box 2069  
Bellingham, WA 98227-2069

We recommend you keep a copy of our current catalog for complete information regarding Grizzly's warranty and return policy. If you need additional technical information relating to this machine, or if you need general assistance or replacement parts, please contact the Service Department at the location listed below.

Grizzly Industrial, Inc.  
1203 Lycoming Mall Circle  
Muncy, PA 17756  
Phone: (570) 546-9663  
Fax: (800) 438-5901  
E-Mail: [techsupport@grizzly.com](mailto:techsupport@grizzly.com)  
Web Site: <http://www.grizzly.com>



## Aftermarket Accessories

---

---

The following aftermarket accessories can be ordered from the Grizzly Catalog by calling (800) 523-4777, or by visiting [www.grizzly.com](http://www.grizzly.com).

### 62" Bandsaw Blades

MODEL	DESCRIPTION
G9170 .....	1/4", 6 TPI, Hook
G9171 .....	1/4", 14 TPI, Raker
G9172 .....	1/4", 24 TPI, Raker
G9173 .....	3/8", 6 TPI, Hook
G9174 .....	3/8", 14 TPI, Raker





# MACHINE DATA SHEET

Customer Service #: (570) 546-9663 • To Order Call: (800) 523-4777 • Fax #: (800) 438-5901

## MODEL G8976 3 WHEEL 12" BANDSAW

design Type ..... Bench Model

### Overall Dimensions:

Table .....13½" x 3½"  
 Overall Height .....22½"  
 Height From Bench to Table .....9½"  
 Overall Depth .....13½"  
 Overall Width .....25"  
 Net Weight .....32 lbs.  
 Shipping Weight .....38 lbs.  
 Box Size .....20¼" L x 11" W x 23" H  
 Footprint .....14¾" x 9½"

### Cutting Capacity:

Left of Blade .....12"  
 Height .....3⅞"  
 Table Tilt .....0° L, 45° R

### Construction:

Table .....Precision Ground Aluminum  
 Wheels .....Fully Balanced Cast Aluminum with Rubber Tire  
 Rip Fence .....Double Lock, Adjustable, Extruded Aluminum  
 Wheel Covers .....Preformed Steel  
 Upper & Lower Guides .....Ball Bearing  
 Main Body .....Cast Aluminum

### Motor:

Type .....Universal Brush Type  
 Horsepower .....¾ HP  
 RPM .....Variable to 14,000 RPM  
 Phase / Cycle .....Single-Phase / 60 Hz  
 Voltage .....110V  
 Amps .....4.5  
 Bearings .....Shielded & Lubricated Ball  
 Switch .....Push Button On/Off with Removable Safety Key

### Blades:

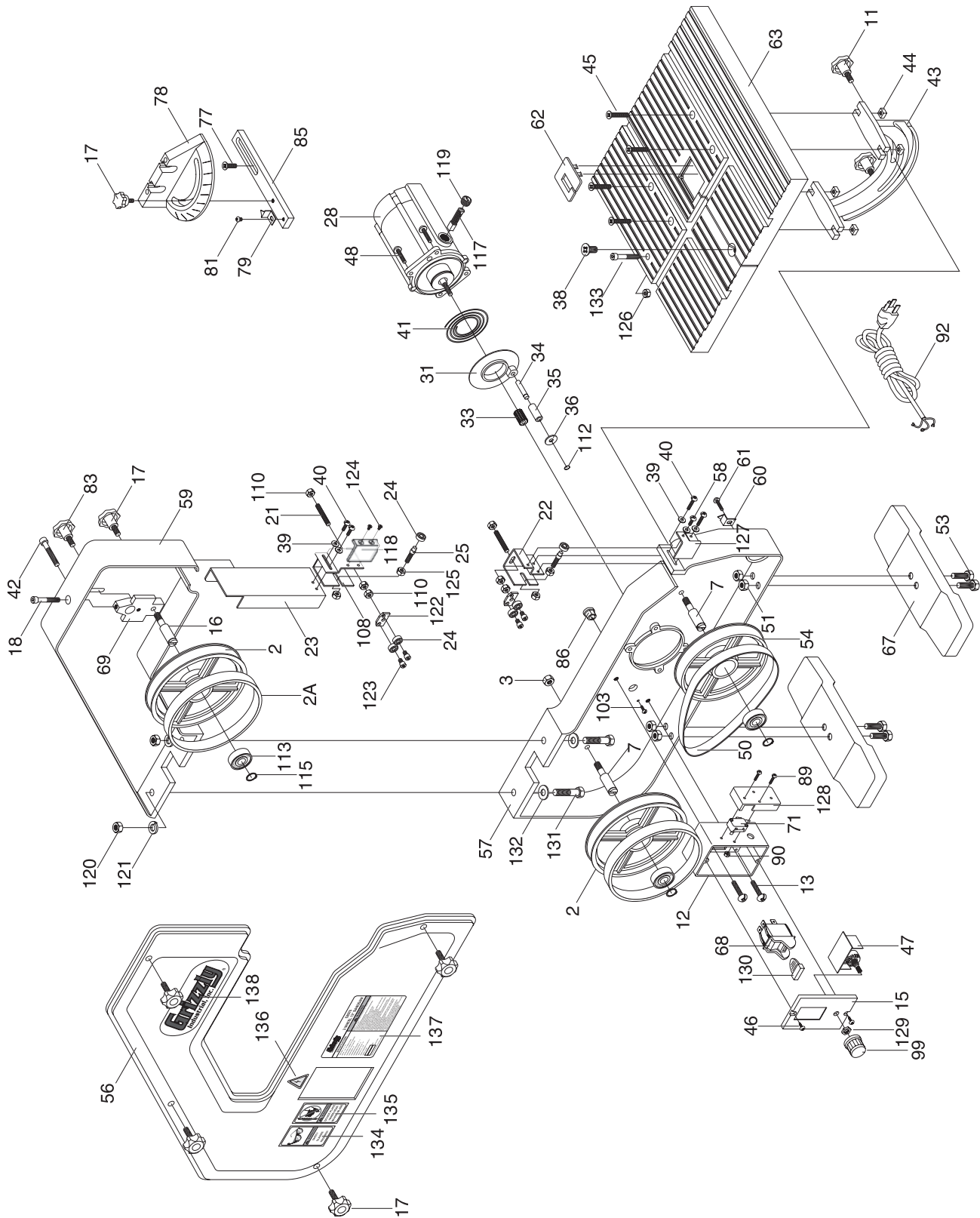
Sizes Available .....¼" to ⅜"  
 Standard Blade Length .....62"  
 Blade Speeds .....50 - 2300 FPM

### Features:

.....Includes: Fence, Miter Gauge & ¼" Hook Blade

*Specifications, while deemed accurate, are not guaranteed.*

# Parts Diagrams & Lists



REF	PART #	DESCRIPTION
2	P8976002	WHEEL
2A	P8976002	TIRE
3	PN03M	HEX NUT M8-1.25
7	P8976007	SHAFT
11	P8976011	KNOB BOLT M6-1 X 25
12	P8976012	SWITCH BOX
13	PS14M	PHLP HD SCR M6-1 X 12
15	P8976015	SWITCH COVER
16	P8976016	SHAFT
17	P8976017	KNOB BOLT M8-1 X 15
18	PSB29M	CAP SCREW M6-1 X 40
21	P8976021	SPECIAL SCREW M5-.8 X 15
22	P8976022	GUIDE HOLDER
23	P8976023	BLADE GUARD
24	P8976024	BALL BEARING 80026
25	P8976025	SHAFT
28	P8976028	MOTOR
31	P8976031	SPRING SEAT
33	P8976033	DRIVE GEAR
34	P8976034	SHAFT
35	P8976035	BUSHING
36	PW03M	FLAT WASHER 6MM
38	PFH17M	FLAT HD SCR M10-1.5 X 16
39	PW05M	FLAT WASHER 4MM
40	PS17M	PHLP HD SCR M4-.7 X 6
41	P8976041	SPRING
43	P8976043	TRUNNION
44	P8976044	SQUARE NUT M6-1.0
45	PFH12M	FLAT HD SCR M6-1 X 25
46	PHTEK1M	TAP SCREW M3.5 X 12 (AB)
47	P8976047	SPEED SWITCH
48	PS08M	PHLP HD SCR M5-.8 X 12
50	P8976050	BELT
51	PN03M	HEX NUT M8-1.25
53	PB07M	HEX BOLT M8-1.25 X 25
54	P8976054	DRIVE WHEEL
56	P8976056	FRONT COVER
57	P8976057	LOWER FRAME
58	PS02M	PHLP HD SCR M4-.7 X 12
59	P8976059	UPPER FRAME
60	P8976060	POINTER
61	PS05M	PHLP HD SCR M5-.8 X 8
62	P8976062	INSERT PLATE
63	P8976063	TABLE
67	P8976067	BASE
68	PSW06	SWITCH 110/220V
69	P8976069	WHEEL SUPPORT
70	P8976070	SAW BLADE (NOT SHOWN)
71	P8976071	MICRO-SWITCH

REF	PART #	DESCRIPTION
77	PFH07M	FLAT HD SCR M5-.8 X 10
78	P8976078	MITER GAUGE
79	P8976079	ANGLE POINTER
81	PS19M	PHLP HD SCR M5-.8 X 6
83	P8976083	KNOB BOLT M6-1 X 28
85	P8976085	GUIDE BAR
86	P8976086	WIRE CLAMP
89	PS13M	PHLP HD SCR M3-.5 X 20
90	PN07M	HEX NUT M3-.5
92	P8976092	POWER CORD 110V, SHORT
99	P8976099	KNOB
103	PS02M	PHLP HD SCR M4-.7 X 12
108	P8976108	GUIDE HOLDER
110	PN01M	HEX NUT M6-1
112	P8976112	CLIP
113	P6201	BALL BEARING 6201
115	P8976115	CLIP
117	P8976117	CARBON BRUSH
118	P8976118	CLEAR PLASTIC GUARD
119	P8976119	BUSHING PLUG
120	PN02M	HEX NUT M10-1.5
121	PLW06M	LOCK WASHER 10MM
122	P8976122	BRACKET
123	PSB53M	CAP SCREW M5-.8 X 18
124	PFH16M	FLAT HD SCR M4-.7 X 3
125	PN01M	HEX NUT M6-1
126	PN01M	HEX NUT M6-1
127	P8976127	LOWER BLADE GUIDE
128	P8976128	COVER
129	P8976129	SPECIAL HEX NUT M4-.7
130	P8976130	SWITCH LOCK
131	PB31M	HEX BOLT M10-1.5 X 40
132	PW04M	FLAT WASHER 10MM
133	PSB06M	CAP SCREW M6-1 X 25
134	PLABEL-11	SAFETY GLASSES 2"X3 5/16"
135	PLABEL-19	HANDS/BS BLADE 2"X3 5/16"H
136	PLABEL-14	ELECTRICITY 1 1/4"X1 3/8"H
137	P8976137	MACHINE ID/WARNING
138	P8976138	LOGO LABEL



# Troubleshooting

Motor will not start.	<ol style="list-style-type: none"> <li>1. Low voltage.</li> <li>2. Open circuit in motor or loose connections.</li> </ol>	<ol style="list-style-type: none"> <li>1. Check power line for proper voltage.</li> <li>2. Inspect all lead connections on motor for loose or open connections.</li> </ol>
Motor will not start; fuses or circuit breakers blow.	<ol style="list-style-type: none"> <li>1. Short circuit in line cord or plug.</li> <li>2. Short circuit in motor or loose connections.</li> <li>3. Circuit Overloaded.</li> </ol>	<ol style="list-style-type: none"> <li>1. Inspect cord or plug for damaged insulation and shorted wires.</li> <li>2. Inspect all connections on motor for loose or shorted terminals or worn insulation.</li> <li>3. Reduce load on circuit.</li> </ol>
Motor fails to develop full power (power output of motor decreases rapidly with decrease in voltage at motor terminals).	<ol style="list-style-type: none"> <li>1. Power line overloaded with lights, appliances, and other motors.</li> <li>2. Undersized wires or circuits too long.</li> <li>3. General overloading of power company facilities.</li> </ol>	<ol style="list-style-type: none"> <li>1. Reduce load on power line.</li> <li>2. Increase wire sizes or reduce length of wire.</li> <li>3. Request a power check from the power company.</li> </ol>
Motor overheats.	<ol style="list-style-type: none"> <li>1. Motor overloaded.</li> <li>2. Air circulation through the motor restricted.</li> </ol>	<ol style="list-style-type: none"> <li>1. Reduce load on motor.</li> <li>2. Clean out motor to provide normal air circulation.</li> </ol>
Motor stalls (resulting in blown fuses or tripped circuit).	<ol style="list-style-type: none"> <li>1. Short circuit in motor or loose connections.</li> <li>2. Low voltage.</li> <li>3. Incorrect fuses or circuit breakers in power line.</li> <li>4. Motor overloaded.</li> </ol>	<ol style="list-style-type: none"> <li>1. Inspect connections on motor for loose or shorted terminals or worn insulation.</li> <li>2. Correct the low voltage conditions.</li> <li>3. Install correct fuses or circuit breakers.</li> <li>4. Reduce load on motor.</li> </ol>
Machine slows when operating.	Applying too much pressure to workpiece.	Feed workpiece slower.
Blade does not run evenly on wheels or runs off.	<ol style="list-style-type: none"> <li>1. Tracking is not adjusted properly.</li> <li>2. Wheels are not coplanar.</li> </ol>	<ol style="list-style-type: none"> <li>1. Adjust tracking.</li> <li>2. Adjust wheel alignment.</li> </ol>
Blade does not cut evenly.	<ol style="list-style-type: none"> <li>1. Blade is not properly tensioned.</li> <li>2. Wheels are not coplanar.</li> <li>3. Tooth set is uneven.</li> <li>4. Teeth are sharper on one side than the other.</li> </ol>	<ol style="list-style-type: none"> <li>1. Adjust blade tension.</li> <li>2. Adjust wheel alignment.</li> <li>3. Skew fence to compensate or replace blade.</li> <li>4. Skew fence to compensate or replace blade.</li> </ol>
Blade contacting table insert.	<ol style="list-style-type: none"> <li>1. Excessive side pressure when cutting.</li> <li>2. Table improperly adjusted.</li> <li>3. Opening in insert too narrow.</li> </ol>	<ol style="list-style-type: none"> <li>1. Reduce side pressure.</li> <li>2. Adjust table.</li> <li>3. File opening in table insert larger.</li> </ol>
Excessive vibration.	<ol style="list-style-type: none"> <li>1. Rubber pads not installed under stand.</li> <li>2. Wheels not coplanar.</li> <li>3. Tires incorrectly installed.</li> <li>4. Bent or worn out blade.</li> <li>5. Wheels out of balance.</li> </ol>	<ol style="list-style-type: none"> <li>1. Install rubber pads under stand.</li> <li>2. Adjust wheel alignment.</li> <li>3. Re-install tires.</li> <li>4. Replace blade.</li> <li>5. Replace wheels.</li> </ol>

# Warranty & Returns

---

Grizzly Industrial, Inc. warrants every product it sells for a period of **1 year** to the original purchaser from the date of purchase. This warranty does not apply to defects due directly or indirectly to misuse, abuse, negligence, accidents, repairs or alterations or lack of maintenance. This is Grizzly's sole written warranty and any and all warranties that may be implied by law, including any merchantability or fitness, for any particular purpose, are hereby limited to the duration of this written warranty. We do not warrant or represent that the merchandise complies with the provisions of any law or acts unless the manufacturer so warrants. In no event shall Grizzly's liability under this warranty exceed the purchase price paid for the product and any legal actions brought against Grizzly shall be tried in the State of Washington, County of Whatcom.

We shall in no event be liable for death, injuries to persons or property or for incidental, contingent, special, or consequential damages arising from the use of our products.

To take advantage of this warranty, contact us by mail or phone and give us all the details. We will then issue you a "Return Number," which must be clearly posted on the outside as well as the inside of the carton. We will not accept any item back without this number. Proof of purchase must accompany the merchandise.

The manufacturers reserve the right to change specifications at any time because they constantly strive to achieve better quality equipment. We make every effort to ensure that our products meet high quality and durability standards and we hope you never need to use this warranty.

Please feel free to write or call us if you have any questions about the machine or the manual.

Thank you again for your business and continued support. We hope to serve you again soon.

# WARRANTY CARD

Name \_\_\_\_\_  
Street \_\_\_\_\_  
City \_\_\_\_\_ State \_\_\_\_\_ Zip \_\_\_\_\_  
Phone Number \_\_\_\_\_ E-Mail \_\_\_\_\_ FAX \_\_\_\_\_  
MODEL # \_\_\_\_\_ Serial # \_\_\_\_\_ Order # \_\_\_\_\_

The following information is given on a voluntary basis. It will be used for marketing purposes to help us develop better products and services. Of course, all information is strictly confidential.

1. How did you learn about us?
- Advertisement  Friend  
 Catalog  Card Deck  
 World Wide Web  
 Other \_\_\_\_\_
2. Which of the following magazines do you subscribe to.
- American Woodworker  Practical Homeowner  
 Cabinetmaker  Shop Notes  
 Family Handyman  Today's Homeowner  
 Fine Homebuilding  WOOD  
 Fine Woodworking  Wooden Boat  
 Home Handyman  Woodshop News  
 Journal of Light Construction  Woodsmith  
 Old House Journal  Woodwork  
 Popular Mechanics  Woodworker  
 Popular Science  Woodworker's Journal  
 Popular Woodworking  Workbench  
 Other \_\_\_\_\_
3. Which of the following woodworking/remodeling shows do you watch?
- Backyard America  The New Yankee Workshop  
 Home Time  This Old House  
 The American Woodworker  Woodwright's Shop  
 Other \_\_\_\_\_
4. What is your annual household income?
- \$20,000-\$29,999  \$60,000-\$69,999  
 \$30,000-\$39,999  \$70,000-\$79,999  
 \$40,000-\$49,999  \$80,000-\$89,999  
 \$50,000-\$59,999  \$90,000 +
5. What is your age group?
- 20-29  50-59  
 30-39  60-69  
 40-49  70 +
6. How long have you been a woodworker?
- 0 - 2 Years  8 - 20 Years  
 2 - 8 Years  20+ Years
7. How would you rank your woodworking skills?
- Simple  Advanced  
 Intermediate  Master Craftsman
8. What stationary woodworking tools do you own? Check all that apply.
- Air Compressor  Panel Saw  
 Bandsaw  Planer  
 Drill Press  Power Feeder  
 Drum Sander  Radial Arm Saw  
 Dust Collector  Shaper  
 Horizontal Boring Machine  Spindle Sander  
 Jointer  Table Saw  
 Lathe  Vacuum Veneer Press  
 Mortiser  Wide Belt Sander  
 Other \_\_\_\_\_
9. How many of your woodworking machines are Grizzly? \_\_\_\_\_
10. Which benchtop tools do you own? Check all that apply.
- 1" x 42" Belt Sander  6" - 8" Grinder  
 5" - 8" Drill Press  Mini Lathe  
 8" Table Saw  10" - 12" Thickness Planer  
 8" - 10" Bandsaw  Scroll Saw  
 Disc/Belt Sander  Spindle/Belt Sander  
 Mini Jointer  
 Other \_\_\_\_\_
11. How many of the machines checked above are Grizzly? \_\_\_\_\_
12. Which portable/hand held power tools do you own? Check all that apply.
- Belt Sander  Orbital Sander  
 Biscuit Joiner  Palm Sander  
 Circular Saw  Portable Planer  
 Detail Sander  Saber Saw  
 Drill/Driver  Reciprocating Saw  
 Miter Saw  Router  
 Other \_\_\_\_\_
13. What machines/supplies would you like Grizzly Industrial to carry?  
\_\_\_\_\_  
\_\_\_\_\_
14. What new accessories would you like Grizzly Industrial to carry?  
\_\_\_\_\_  
\_\_\_\_\_
15. What other companies do you purchase your tools and supplies from?  
\_\_\_\_\_  
\_\_\_\_\_
16. Do you think your purchase represents good value?  
 Yes  No
17. Would you recommend Grizzly Industrial to a friend?  
 Yes  No
18. Would you allow us to use your name as a reference for Grizzly customers in your area? **Note: We never use names more than three times.**  
 Yes  No
19. Comments: \_\_\_\_\_  
\_\_\_\_\_  
\_\_\_\_\_  
\_\_\_\_\_

CUT ALONG DOTTED LINE

FOLD ALONG DOTTED LINE

---

---

---



Place  
Stamp  
Here



**GRIZZLY INDUSTRIAL, INC.**  
**P.O. BOX 2069**  
**BELLINGHAM, WA 98227-2069**



FOLD ALONG DOTTED LINE

Send a Grizzly Catalog to a friend:

Name _____
Street _____
City _____ State _____ Zip _____

TAPE ALONG EDGES--PLEASE DO NOT STAPLE



# *grizzly.com*

**TOOL WEBSITE**

Buy Direct and Save with Grizzly® – Trusted, Proven and a Great Value!

Visit Our Website Today And Discover Why  
Grizzly® Is The Industry Leader!

- 
- 
- 

**B**

**A**

**B**

**G**

**1-800-523-4777**

